

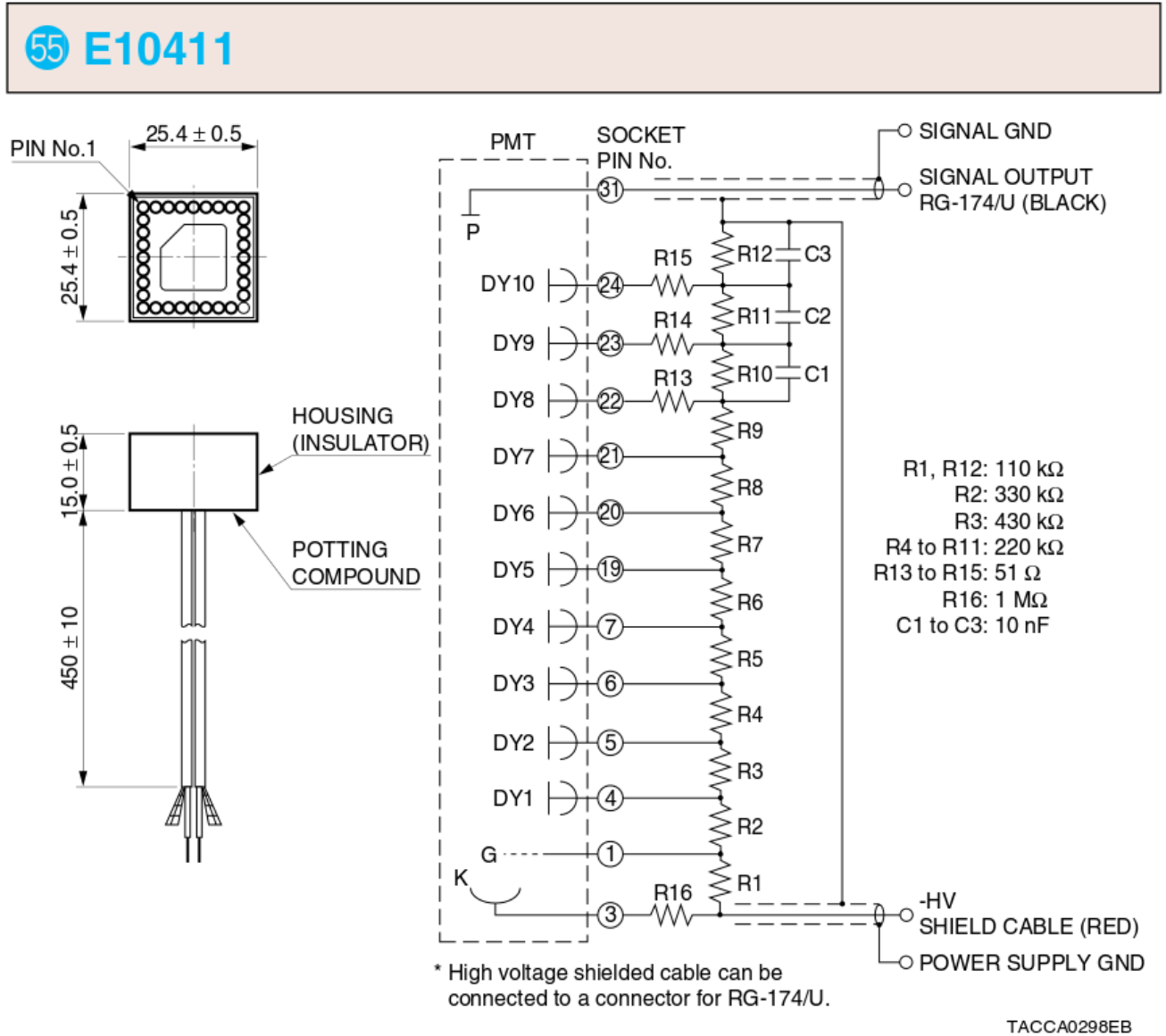
Table of Contents

PMT bases.....	1
----------------	---

PMT bases

We have are two kind of PMT HV divider bases in Dream: tapered and untapered.

Since 2012 we are only using the following (untapered) boards: Hamamatsu E10411.



The details are in PMT_92-103_e.pdf

-- MicheleCascella - 2014-11-28

This topic: DREAM > PmtBases

Topic revision: r1 - 2014-11-28 - MicheleCascella



Copyright &© 2008-2022 by the contributing authors. All material on this collaboration platform is the property of the contributing authors.
or Ideas, requests, problems regarding TWiki? use Discourse or Send feedback