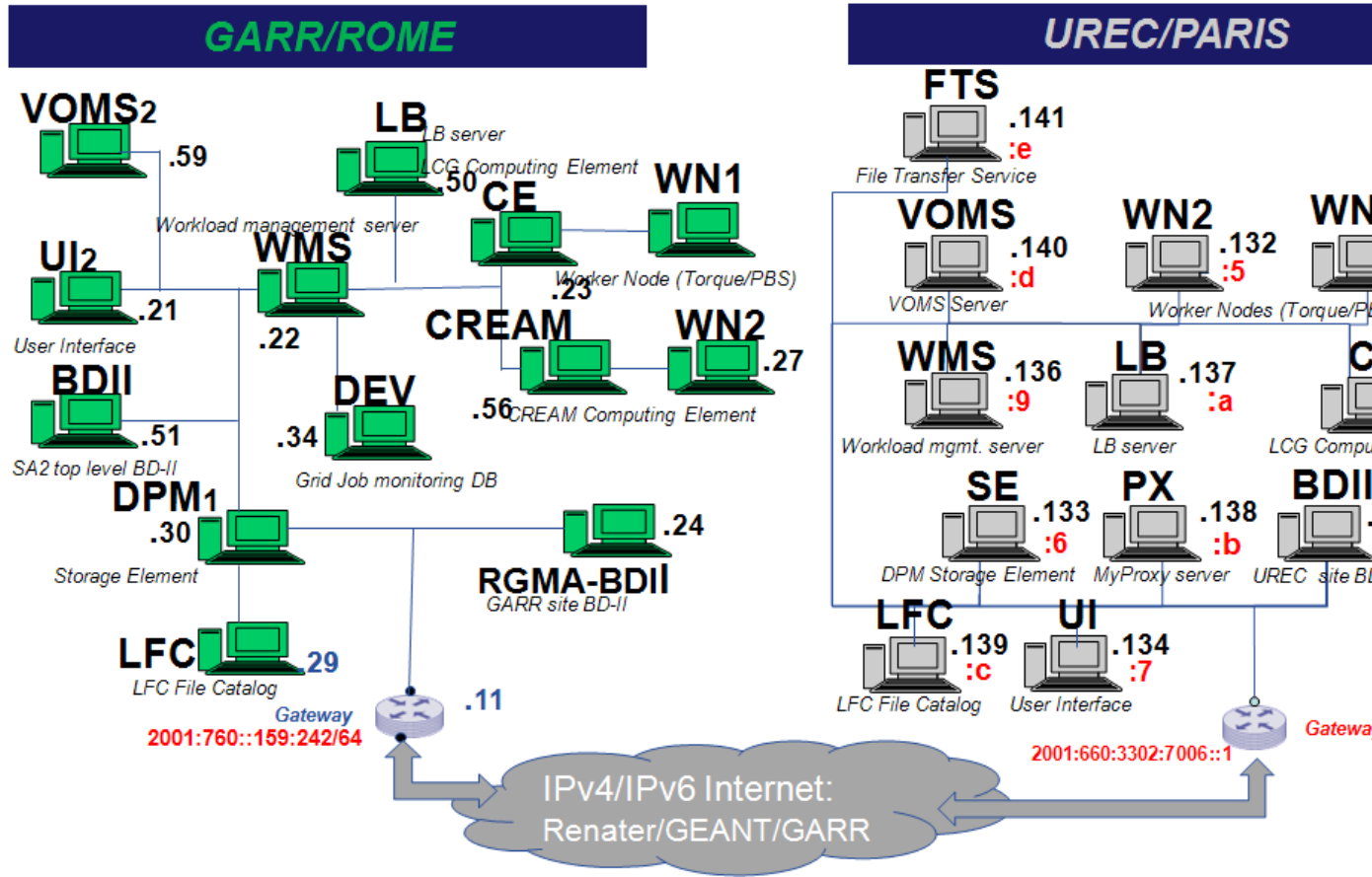


EGEESA2IPv6Testbed < EGEE < TWiki

The testbed is distributed on two sites: one in Rome (GARR), one in Paris (UREC). All nodes are dual-stack (IPv4 and IPv6 are enabled simultaneously).

We can provide ssh access to the testbed. For this, please contact us (see the "SA2 IPv6 Team Contacts" section on this page).



This topic: EGEE > EGEESA2IPv6Testbed

Topic revision: r4 - 2009-03-30 - EtienneDUBLE



Copyright &© by the contributing authors. All material on this collaboration platform is the property of the contributing authors.

Ideas, requests, problems regarding TWiki? Ask a support question or Send feedback