

# LEGEND

K: CTF2 acronym

T.C: Transport Carrier

M.P.C: Manipulator Photocathode

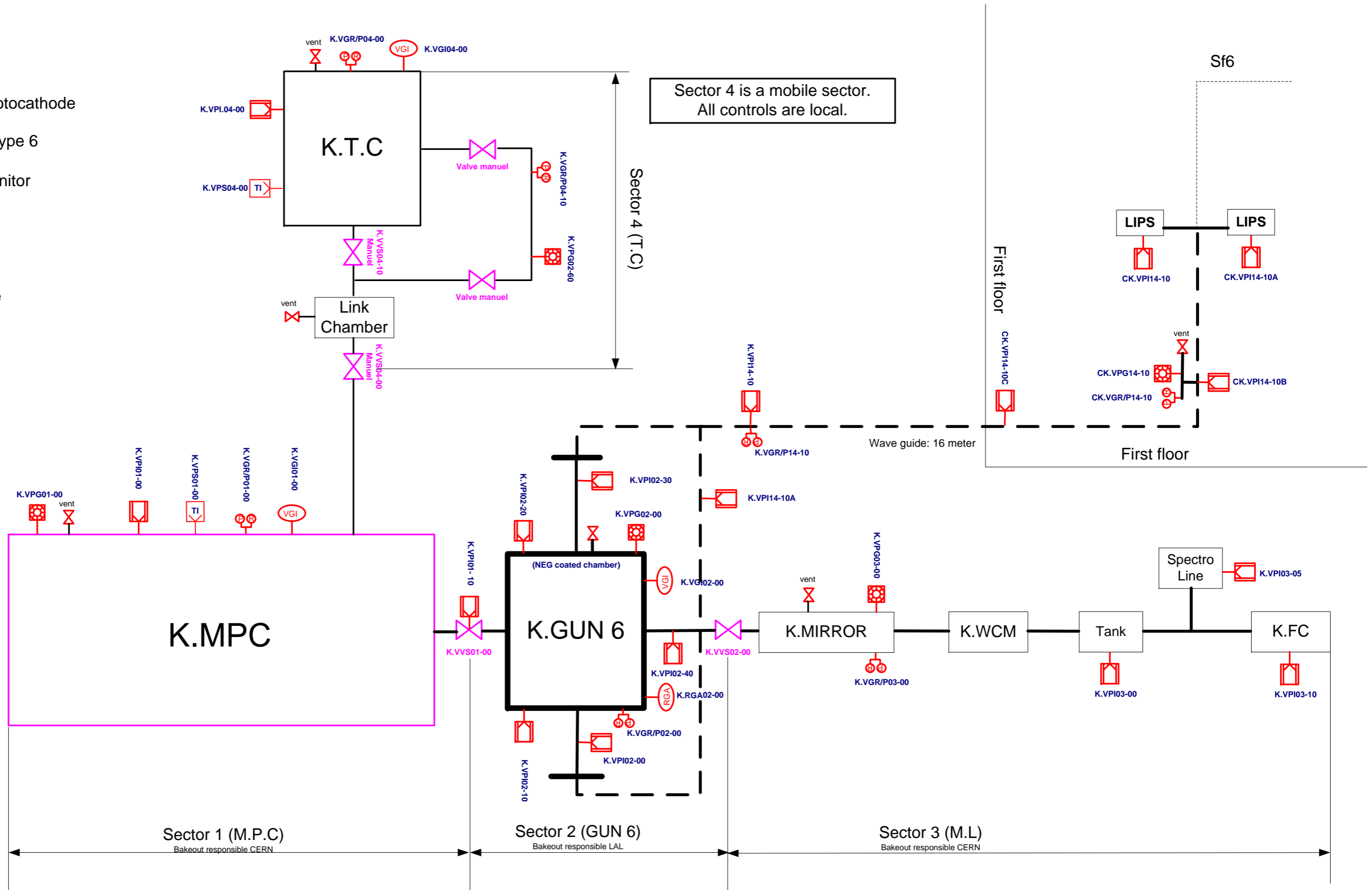
GUN6: RF Gun PHIN Type 6

WCM: Wall Current Monitor

FC: Faraday Cup

Mirror: Vacuum Mirror

M.L: Measurement Line



Sector 4 is a mobile sector.  
All controls are local.

All vacuum for the K.T.C; K.MPC; K.MIRROR;  
K.WCM and K.FC is supplied by E.Chevallay

All vacuum for the K.GUN 6 is supplied by LAL

All the cables for the vacuum pumps and power  
supplies are supplied AT/VAC except from the  
VIONIC power supplies ( supplied by E Chevallay)

- Sector valve
- Turbo molecular pump
- Titanium sublimation pump
- Sputter Ion pump
- Penning & Pirani gauge
- Hot Cathode gauge
- Rest Gas analyzer

<b>CTF2-LAYOUT- Photoinjector</b>			DESSINE :	J.Hansen	25.04.2006
			CONTROL :	E.Chevallay	
			SOURCE :	AT-VAC	
REFERENCE:	AT-VAC		FICHER :	ctf2-layout-photoinjector F.vsd	
MACHINE:	CTF3				
<b>CERN / AT-VAC</b>			ECHELLE :	FORMAT :	INDICE :
				A3	F