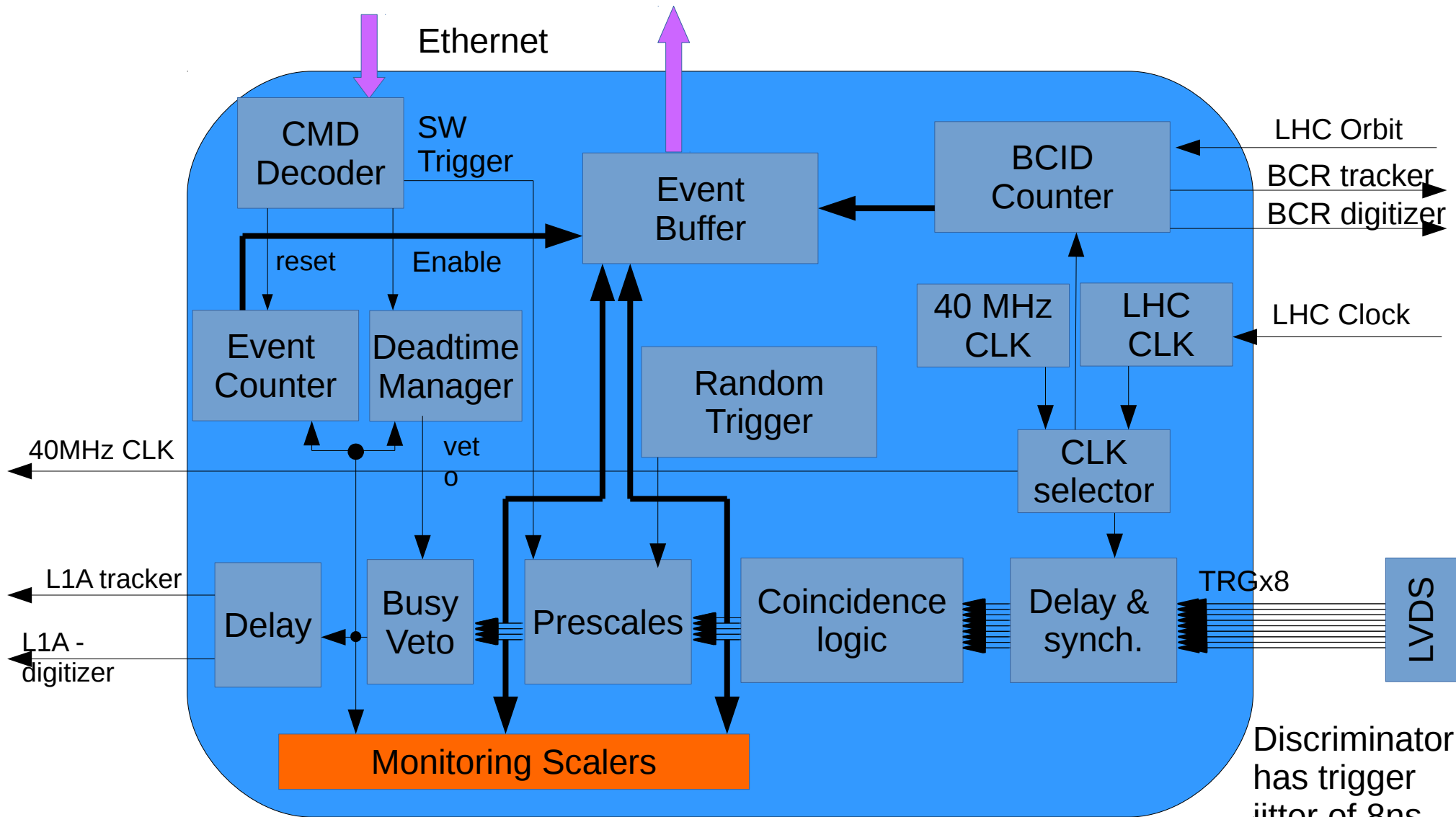


Trigger Logic Board



Multiple identical outputs with different delays for tracker and digitizer

Discriminator has trigger jitter of 8ns
Pulse length set to 32ns