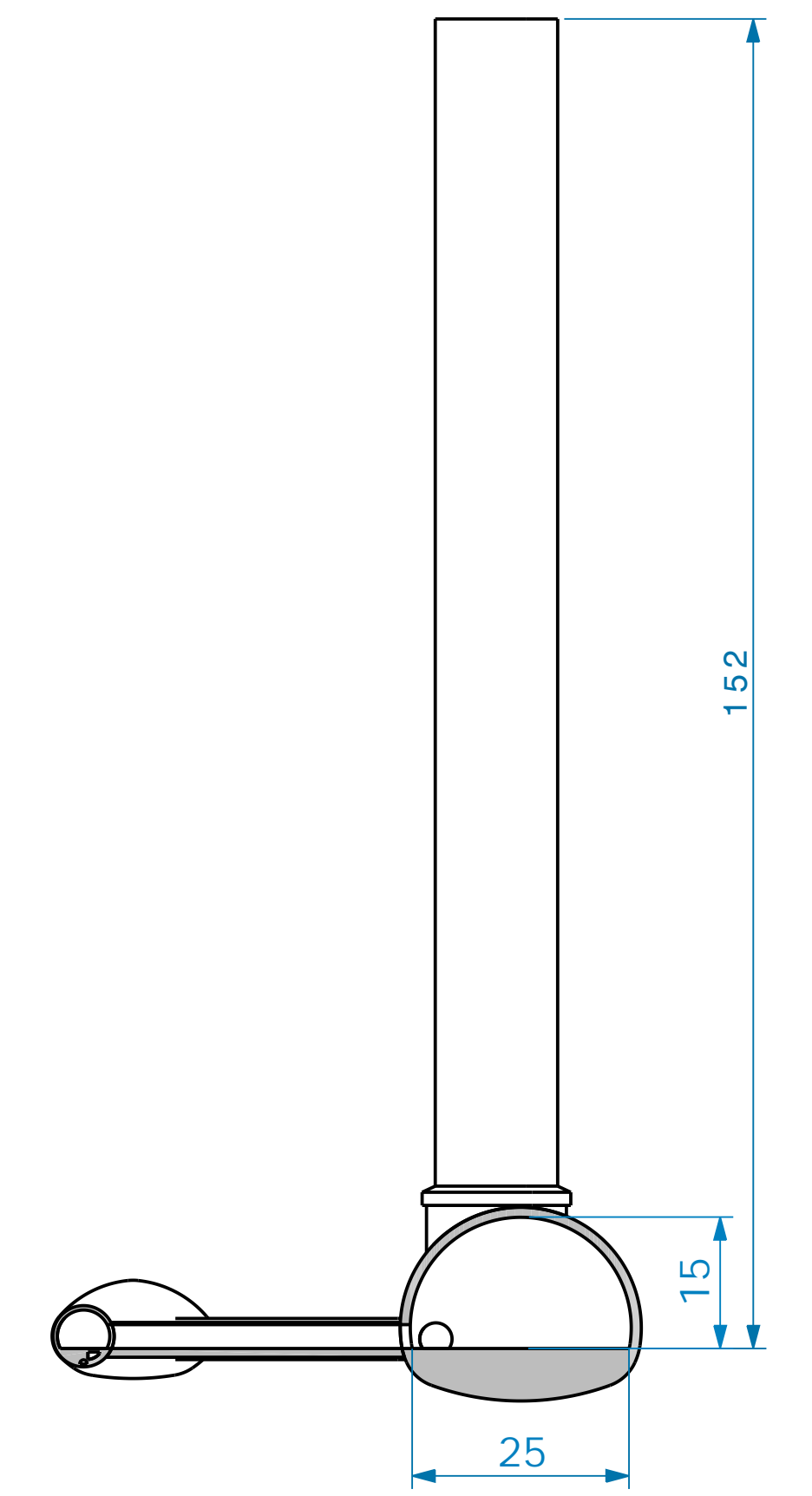
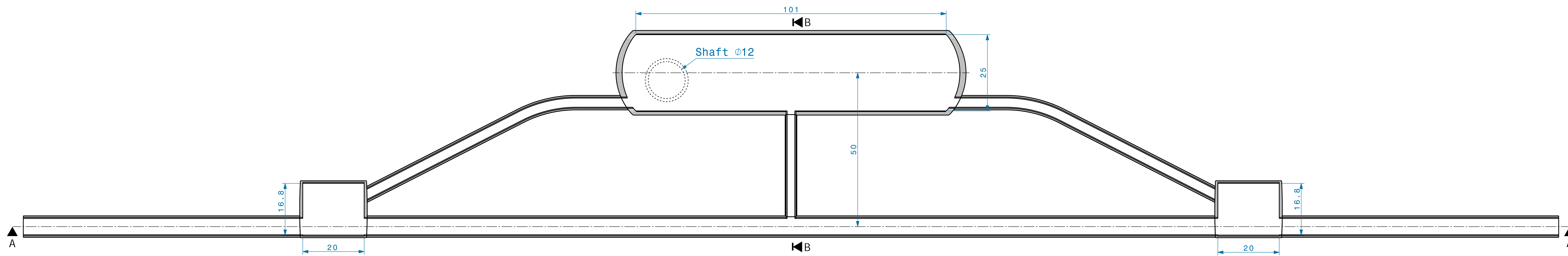


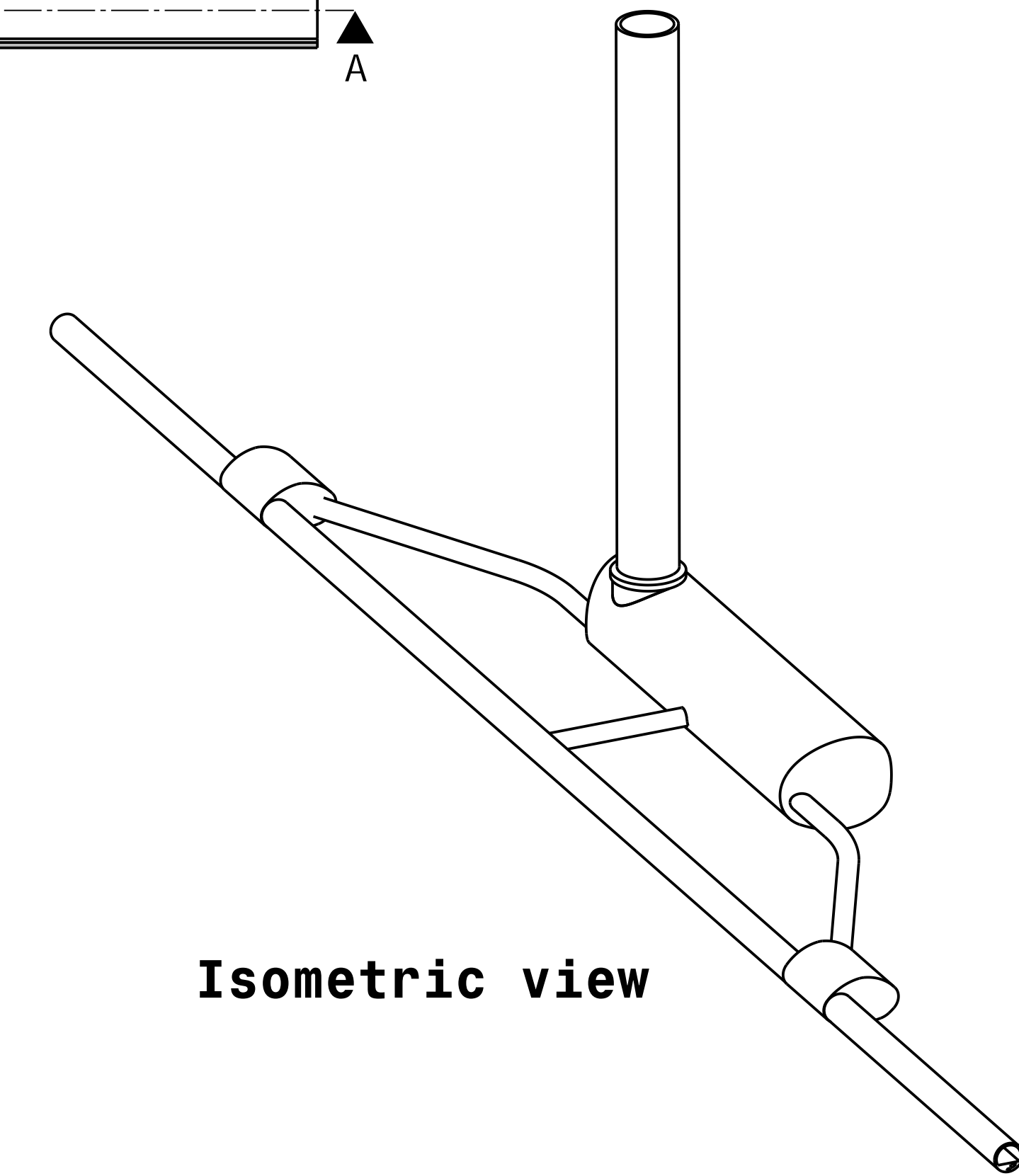
**Section A-A
1:750**



**Section B-B
1:750**



1:500



Isometric view

DESIGNATION		WHERE USED		DATE		PROJECT	
FCC-hh - Point C - Civil Engineering		Not Applicable		2020-04-21		A0	
DRAWING DEPARTMENT		DESIGNED		CHECKED		SCALE	
Plan View and Sections		RELEASED		APPROVED		1:500	
EQUIPMENT CODE		DESIGNED		DATE		SHEET	
REFERENCES		2020-04-21		Doc No: ST1318818_02		1/1	
NOT VALID FOR EXECUTION							

23
22
21
20
19
18
17
16
15
14
13
12
11
10
9
8
7
6
5
4
3
2
1