

HARDWARE COMMISSIONING COORDINATION

December 5, 2006, 8:30 in CCC

Present: Carlos Castillo Trello, Claude Dehavay, Delphine Jacquet, Robin Lauckner, Jean-Pierre Malod-Dognin, David Nisbet, Stephen Page, Mirko Pojer, Hugues Thiesen, Jacques Toullieux, Antonio Vergara Fernandez, Markus Zerlauth.

ECR on "Inversion of Power Converter notation B1 and B2 for RQ4-RQ10" (EDMS No. 804188)

A presentation has been given by H. Thiesen concerning the Engineering Change Request. It states that "following an inconsistency recently discovered in between the 'Electrical Diagrams of LHC Magnets' and the physical assembly of the MQM/MQY cold masses used for the LHC circuits RQ4-RQ10, the notation of B1 and B2 needs to be inverted on the according power converters for a total of 40 circuits in the LHC. This implies some physical changes of cabling to be performed in these power converters as well as an update of according data in the according databases, documents and drawings to correct for this mismatch."

All the steps to be implemented are listed in the attached slides: layout database update, gateway and LSA update have already been completed.

Apart from Point 5-right, priority has to be given to Point 6-right and Point 8-left, where SCT and Powering Procedure Test will be soon performed.

SCT in RR57 and UJ56

The squeeze test has been successfully performed with powering of all the power converters (inner triplet + Q4÷Q10).

A list of the PC powered during the 8h heat run and the 24h heat run has been distributed by D.Nisbet.

Open Issues

22.11	Fire detection – awaiting certification
01.12	Short cables on 13 kA EE to be changed later on (temporary solution in place)

Heat Runs and Test Schedule

01.12	Squeeze test DONE (all the power converters involved have been tested)
06.12	8-h heat run
07.12	Polarity Test
08.12	Full power ventilation tests in RR57 – from 8:30 till 12:00
11.12	10am: 24-h heat run
12.12	UPS test.
13.12	Electric cut (AUG simulation).
14.12	13kA energy extraction test.

Closed Issues

13.11	Elettas Installation. Done	15.11
13.11	Detailed schedule SCT. Ready.	15.11
13.11	Fire Detection in the area. Ok.	15.11
13.11	13kA EE shielding.	16.11
13.11	Calibration rack connection	20.11
13.11	Elettas test. Done	20.11
13.11	High Voltage tests with and without water RR57	22.11
19.11	Eletta tests RR57	22.11
13.11	Balisage	22.11
22.11	Wi-Fi damaged cable has to be repaired	27.11
13.11	Ventilation in UJ56	27.11
22.11	DQS acousting shielding and cabling	27.11
23.11	Cables inversion on rack RYMCA04	29.11
20.11	Problem with water conductivity in DQS	29.11
13.11	DC cables high voltage test	29.11
13.11	Test de circulation ED (waiting UJ56)	29.11
29.11	WIFI problems	01.12
29.11	ELETTAS threshold setup	01.12
23.11	Ripples in RQT12R5B1 power converter.	05.12



Dry-Run in UA83 and RR77

CV informs that operations in UA83 needed for the Powering Procedure Test (dry-run) have already been started (some flexibles have to be connected and filters checked). It is important to know that water can circulate in the area apart the water-cooled cables, where operations are on going.



Proposal of Short Circuit test inversion between RR73/UJ76 and UA67/UJ67

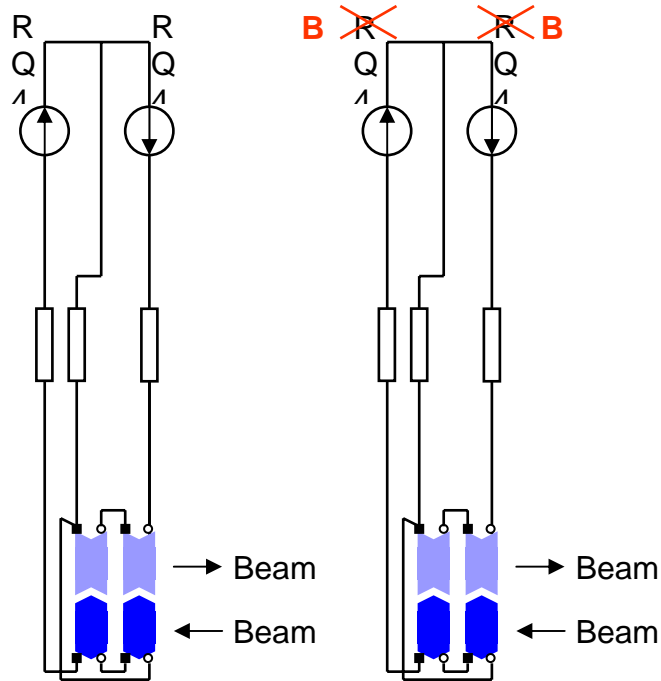
The inversion of the point is confirmed. Test will start on second week of January (first working week!).



**Next RAT meeting,
Wednesday December 6
8:30 in CCC.**

Mirko

RQ4 – RQ10 ECR (EDMS 804188)



RQ4.R5B1 -> RQ4.R5B2
 RQ4.R5B2 -> RQ4.R5B1
 RQ5.R5B1 -> RQ5.R5B2
 RQ5.R5B2 -> RQ5.R5B1
 RQ7.R5B1 -> RQ7.R5B2
 RQ7.R5B2 -> RQ7.R5B1
 RQ9.R5B1 -> RQ9.R5B2
 RQ9.R5B2 -> RQ9.R5B1

LHC layout DB	Markus	mardi 05 déc.
Gateway	Stephen	mardi 05 déc.
LSA update	C. Roderick	mardi 05 déc.
PC Labels	David	mardi 05 déc.
PC interlock cables	David	mardi 05 déc.
AC feeders Labels	Jacques/Luc	mardi 05 déc.
Drawings	P. Orlandi	dès approbation
Current lead assignment documents	Markus	dès approbation
DC cables labels	Jean Claude	dès approbation
DFB labels	R. Van Weelderen	dès approbation
Local cabling for circuit protection	D. Bozzini, S. Russenschuck	dès approbation
Cablotheque update	Jean Claude	dès approbation
MTF	Blanca	Pas nécessaire
Polarity checks	Jean Claude	Pas nécessaire

RQ4 – RQ10 ECR (EDMS 804188)

							Poin							
10L1	9L1	8L1	7L1	6L1	5L1	4L	1	4R1	5R1	6R1	7R1	8R1	9R1	10R1
10L2	9L2	8L2	7L2	6L2	5L2	4L	2	4R2	5R2	6R2	7R2	8R2	9R2	10R
							3							
10L4	9L4	8L4	7L4	6L4	5L4		4		5R4	6R4	7R4	8R4	9R4	10R
10L5	9L5	8L5	7L5	6L5	5L5	4L	5	4R5	5R5	6R5	7R5	8R5	9R5	10R5
10L6	9L6	8L6			5L6	4L	6	4R6	5R6			8R6	9R6	10R
							7							
10L8	9L8	8L8	7L8	6L8	5L8	4L	8	4R8	5R8	6R8	7R8	8R8	9R8	10R

Semaine 50: point 6 et 8 (SCT UA67 et Dry Run UA83)

Semaine 03: point 1, 2, 4 et 5