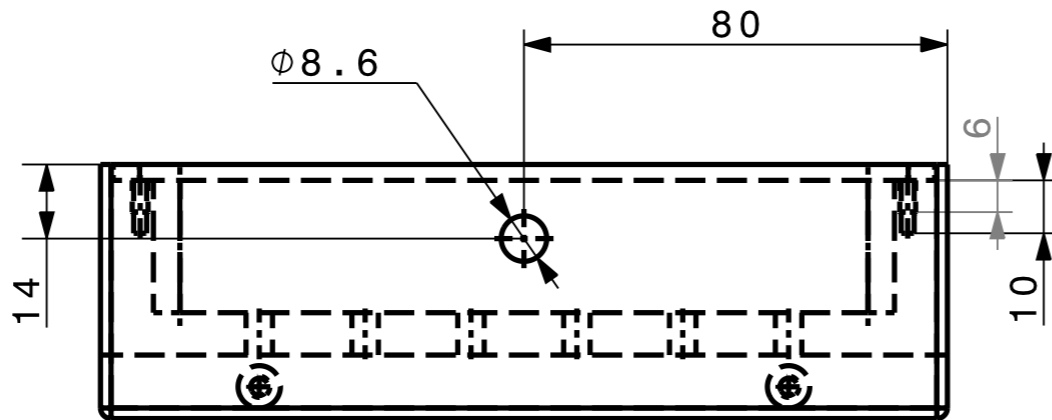
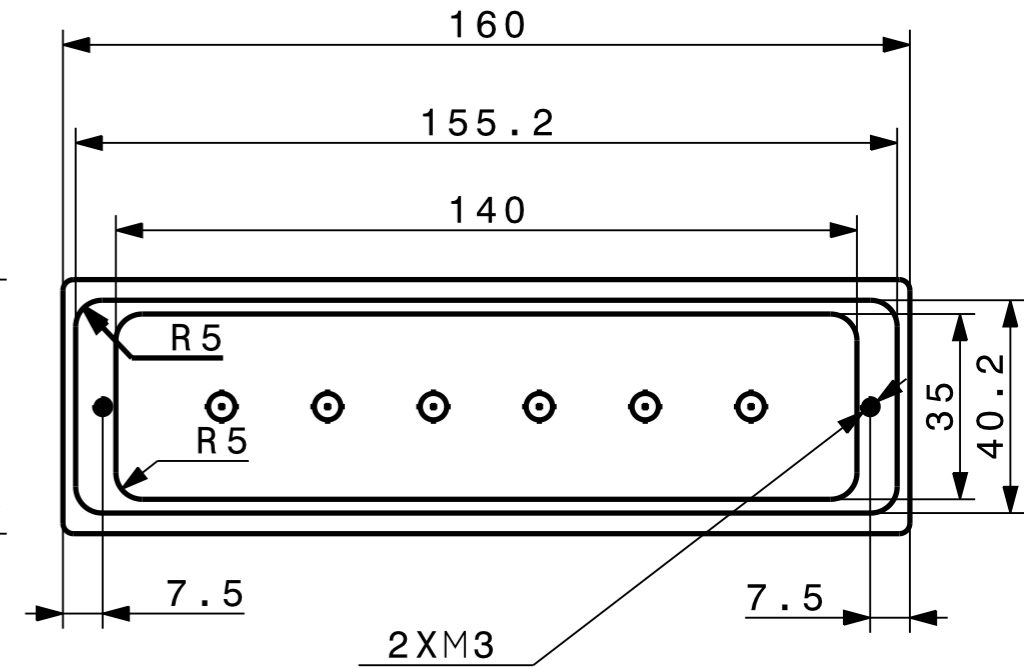
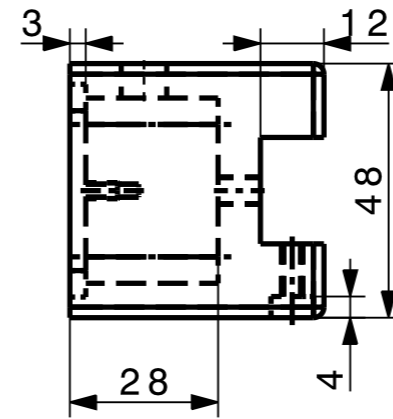
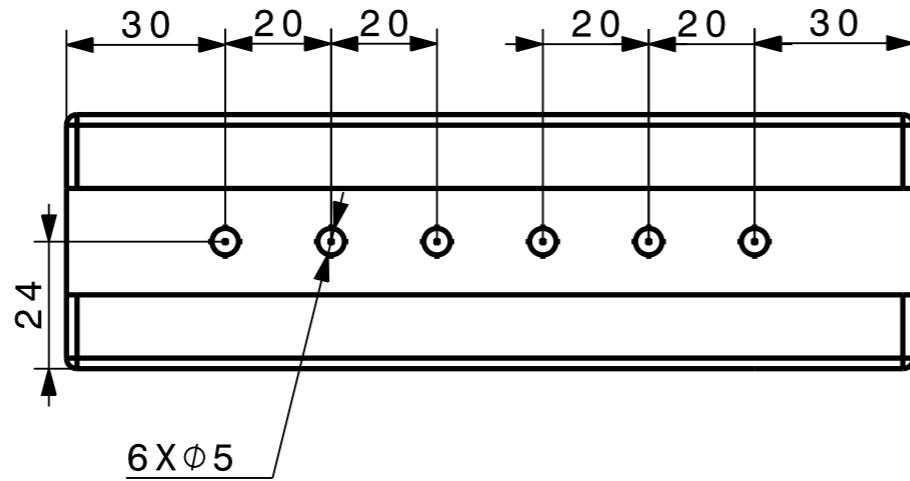
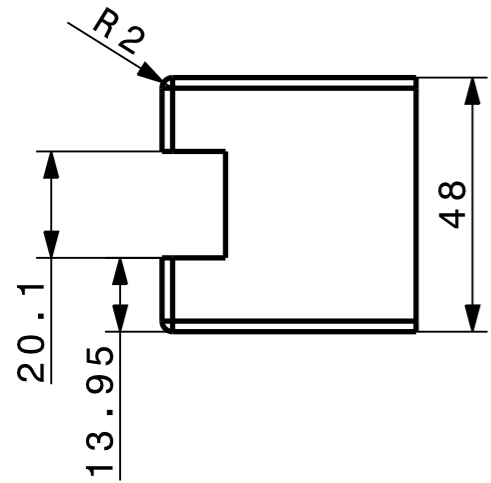
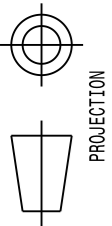


DESSIN, RUGOSITE, TOLERANCES
SELON NORMES ISO
DRAWING, RUGOSITY, TOLERANCES
ACCORDING TO ISO STANDARDS



ORGANISATION EUROPEENNE POUR
LA RECHERCHE NUCLEAIRE RESEARCH
EUROPEAN ORGANIZATION FOR NUCLEAR RESEARCH
GENEVE
Ce dessin ne peut être utilisé à des fins commerciales sans autorisation écrite
This drawing may not be used for commercial purposes without written authorisation

1		1				
QUA	DESCRIPTION	POS	MAT.	OBSERVATIONS	REF. CERN	
ENS/ASS			S.ENS/S.ASS			
LED INOX BRAQUET				SCALE	DRAWN C. FOURNIER 2011-06-09	
				1:1	CONTROLLED	
					RELEASED	
					APPROVED	
				CAD Document Number	ST0354508_02	
				REPLACES		
NON VALABLE POUR EXECUTION NOT VALID FOR EXECUTION			QAC	-	SIZE IND. 3	