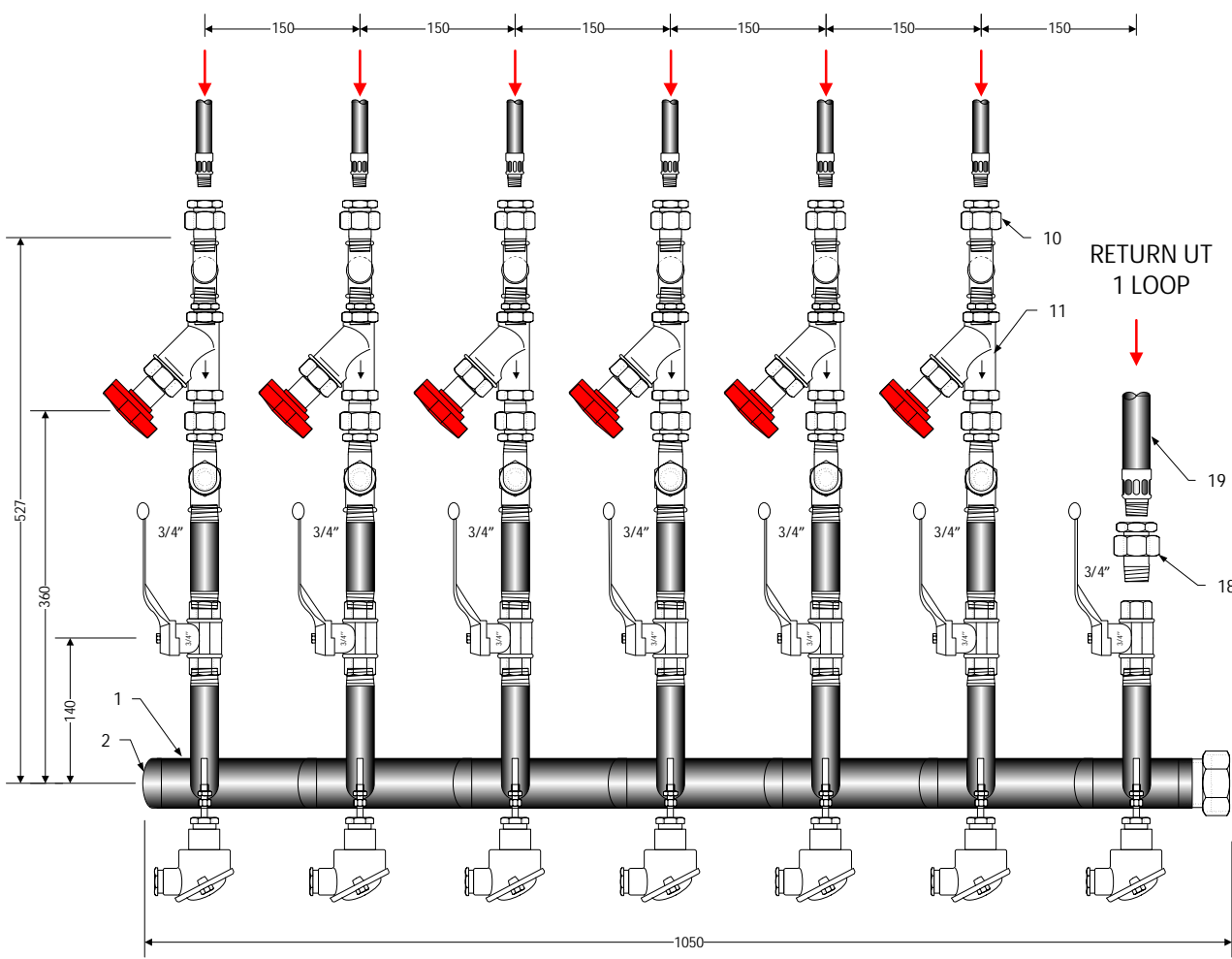
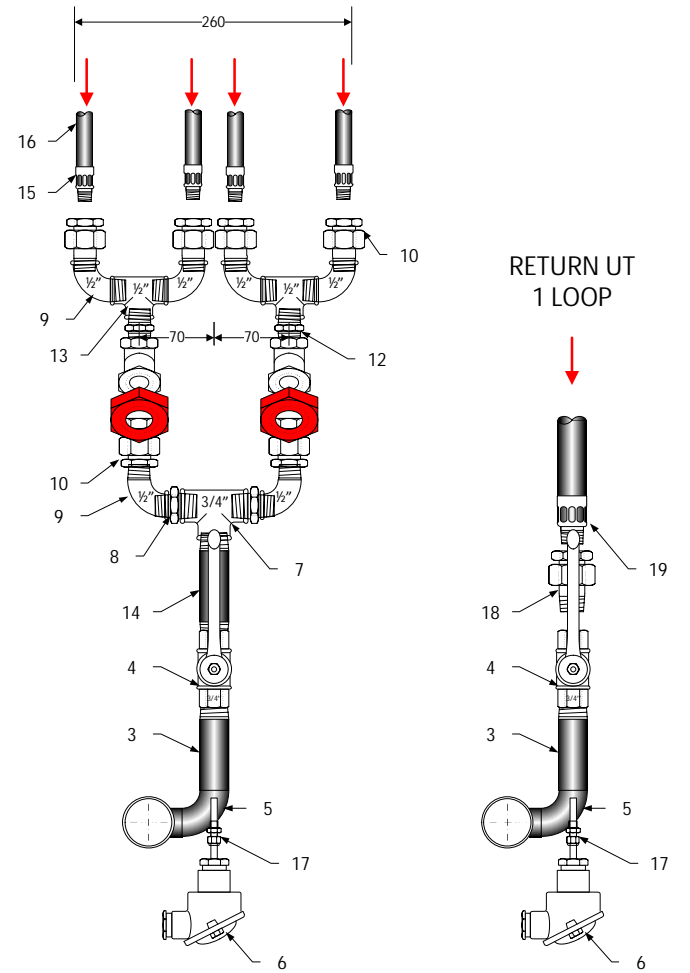


RETURN SciFi FE – 6 LOOPS

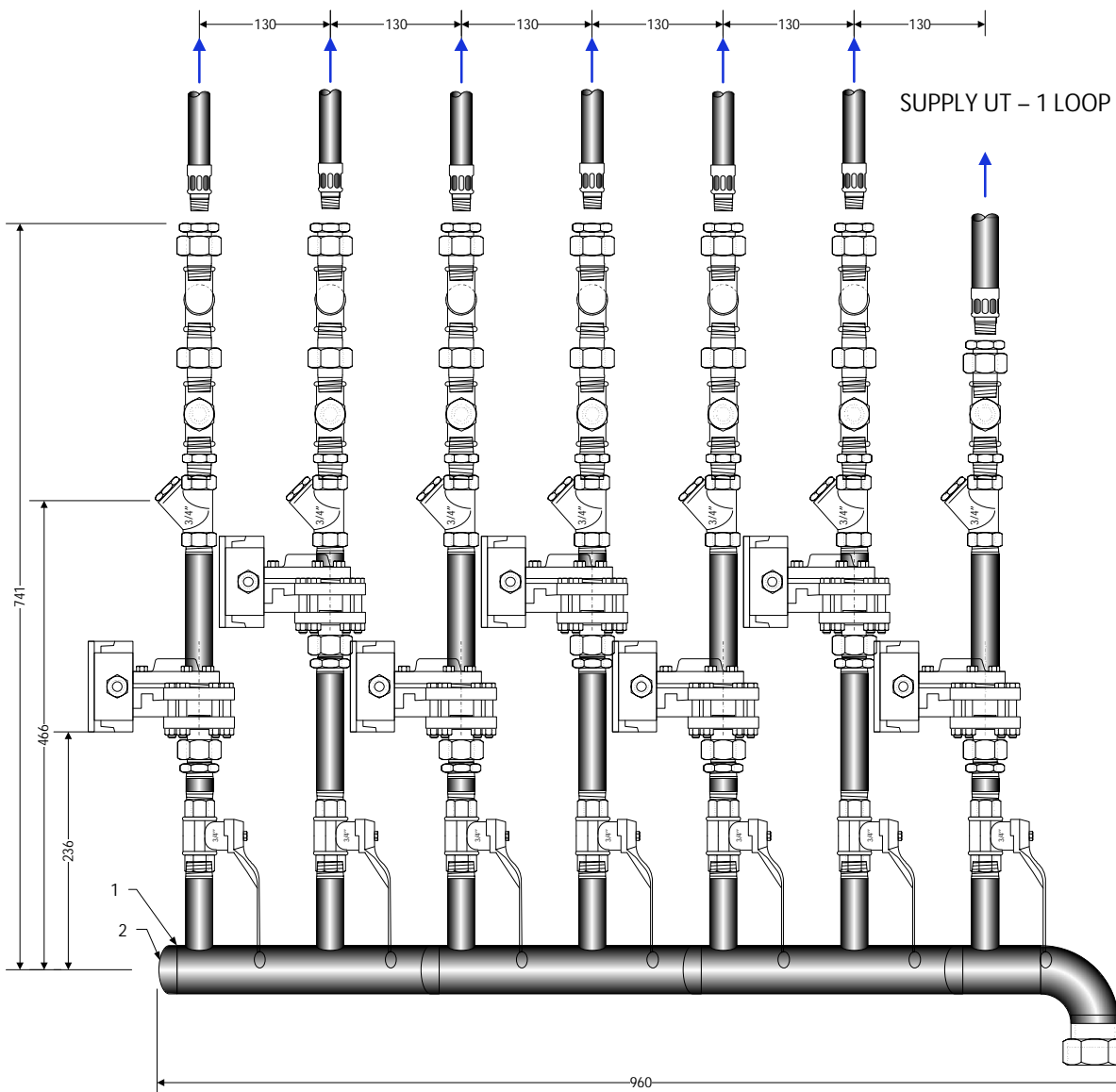


RETURN SciFi FE – 6 LOOPS

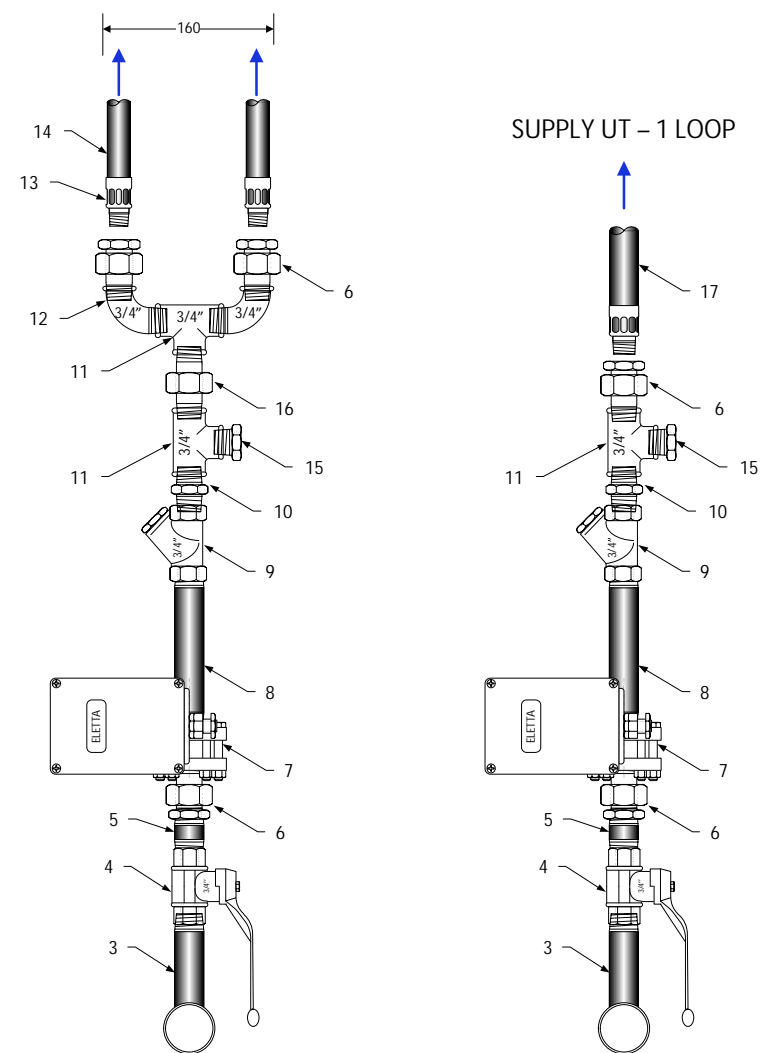


ITEM	QTY.	PART NO.	DESCRIPTION	ITEM	QTY.	PART NO.	DESCRIPTION	ITEM	QTY.	PART NO.	DESCRIPTION
6	7		Temperature sensor Pt100 Ø6mm	12	12	BI - 452213-15	Double nipple 1/2"	19	1		Flexible DN20
5	7	41.03.07.026.0	Inox 3D Elbow 3/4" - Ø23.7-26.9	11	12	52 752-615	Balancing valve STAD-D 1/2"	18	1	BI - 651253-20	Coupling Union M/F 3/4"
4	7	40.40.70.512.2	Stainless steel ball valve 3/4"	10	36	BI - 651253-15	Coupling Union M/F 1/2"	17	7	41.40.03.113.8	Sagana ferrule connector - Ø6mm X 1/4"
3	7	BI - 652123-20	Welding nipple 3/4"x100mm	9	36	BI - 452463-15	90° bend M/F 1/2"	16			EPDM hose Ø8-15
2	1	41.03.06.032.6	Welding curved end 1"1/4 - Ø39.2-42.4	8	12	BI - 452553-2015	Reduction 3/4"M to 1/2"M	15	24		Cripping 1/2" M
1		39.39.05.042.6	Tube inox 1"1/4 - Ø39.2-42.4	7	6	BI - 452484-20	Female equal Te 3/4"	14	6	BI - 652163-20	Barrel nipple 3/4"x100mm

SUPPLY SciFi FE – 6 LOOPS



SUPPLY SciFi FE – 6 LOOPS



ITEM	QTY.	PART NO.	DESCRIPTION	ITEM	QTY.	PART NO.	DESCRIPTION	ITEM	QTY.	PART NO.	DESCRIPTION
5	7	BI - 652153-20	Barrel nipple 3/4"x46mm	11	13	BI - 452484-20	Female equal Te 3/4"	17	1		Flexible DN20
4	7	40.40.70.512.2	Stainless steel ball valve 3/4"	10	7	BI - 452213-20	Double nipple 3/4"	16	6	BI - 651243-20	Coupling Union M/M 3/4"
3	7	BI - 652123-20	Welding nipple 3/4"x100mm	9	7	BI - 458813-20	Stainless steel strainer 3/4" - 1.0mm	15	7	BI - 652263-20	Male Plug 3/4"
2	1	41.03.06.032.6	Welding curved end 1"1/4 - Ø39.2-42.4	7	7	BI - 652173-20	Barrel nipple 3/4"x150mm	14			EPDM hose Ø13-18
1		39.39.05.042.6	Tube inox 1"1/4 - Ø39.2-42.4	6	7	V15GSS20 R	Flow switch Eletta 3/4" - 4-20 I/min	13	12		Cripping 1/2" M
						BI - 651253-20	Coupling Union M/F 3/4"	12	12	BI - 452463-20	90° bend M/F 3/4"

LHCb OT – PLANT UX85	P.BONNEAU
<b>MANIFOLD 7 LOOPS SUPPLY AND RETURN</b>	A2
	SCALE 1:5
	05/06/2019
CERN/EN/CV/DC – EDMS N°1915281	221.03.02