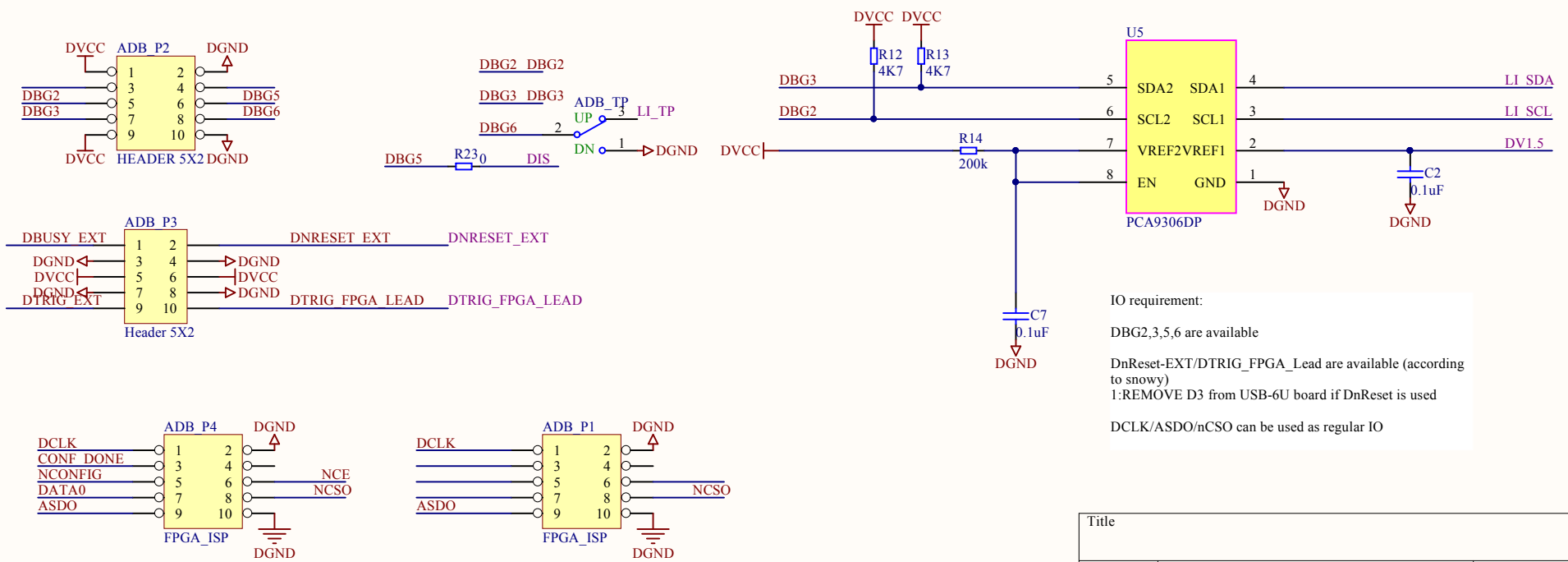
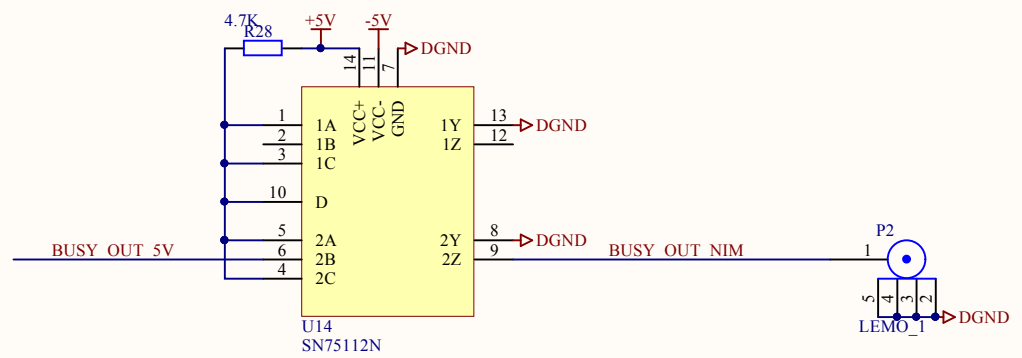
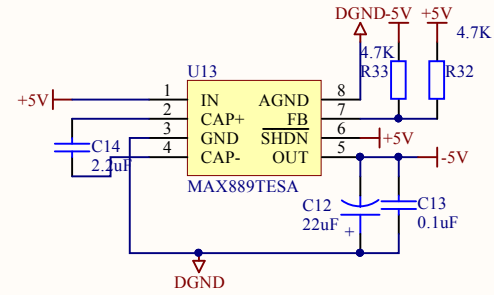
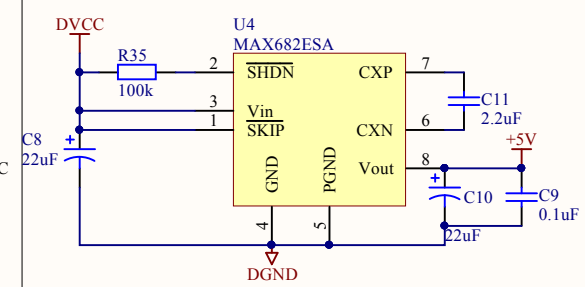
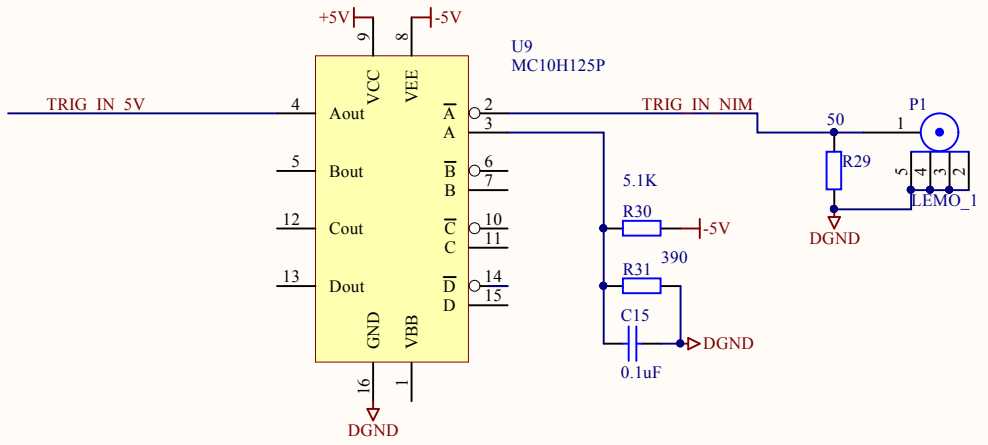
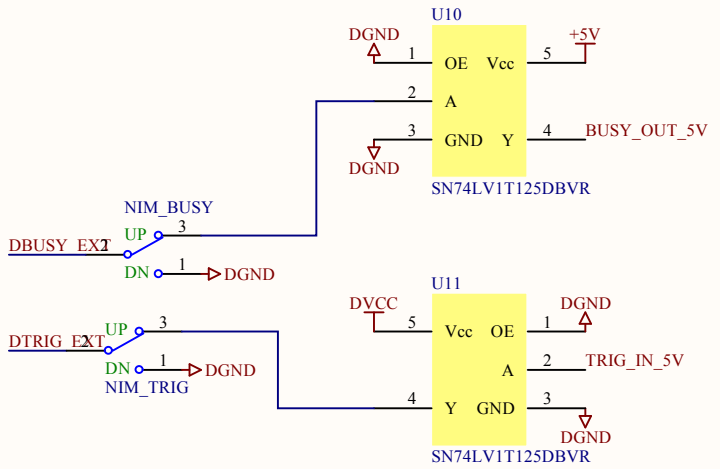


Title		
Size	Number	Revision
A4		
Date:	2016/1/13 星期三	Sheet of
File:	D:\NewUSBBoard\..ADB-Piggyback.SchDoc	
	Drawn By:	



IO requirement:
 DBG2,3,5,6 are available
 DnReset-EXT/DTRIG_FPGA_Lead are available (according to snowy)
 1: REMOVE D3 from USB-6U board if DnReset is used
 DCLK/ASDO/nCSO can be used as regular IO

Title		
Size	Number	Revision
A4		
Date:	2016/1/13 星期三	Sheet of
File:	D:\NewUSBBoard\..GLDB_DAC.SchDoc	Drawn By:



Title		
Size A4	Number	Revision
Date: 2016/1/13 星期三	Sheet of	
File: D:\NewUSBBoard\NIM_conv.SchDoc	Drawn By:	

