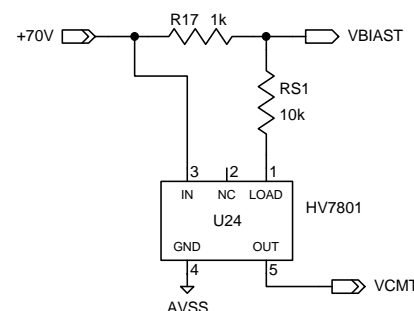
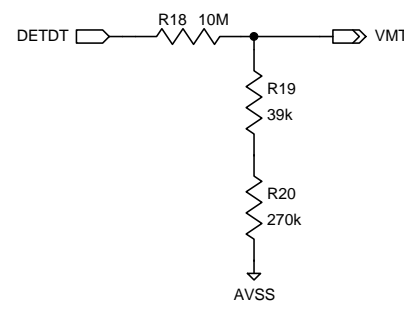


TOP DETECTORS

CURRENT MONITOR

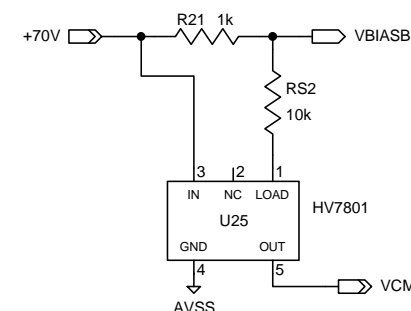


VOLTAGE MONITOR

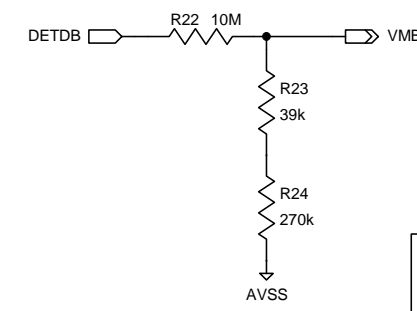


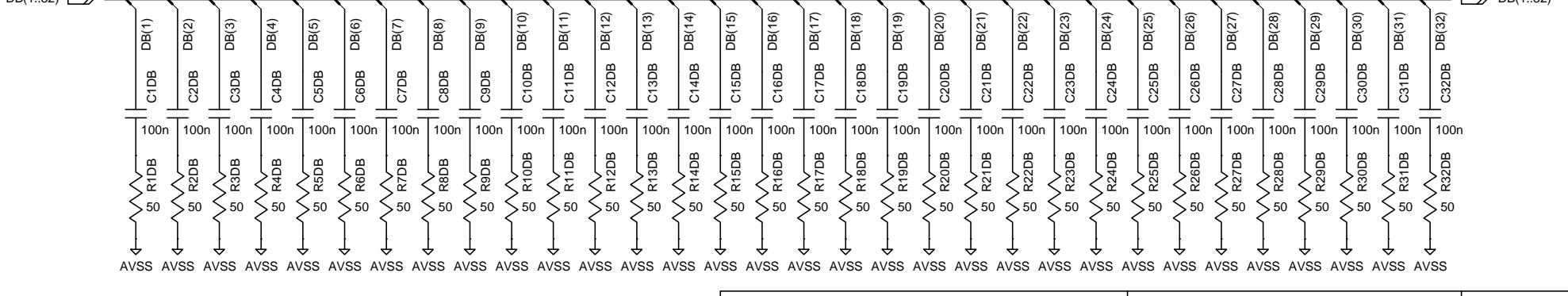
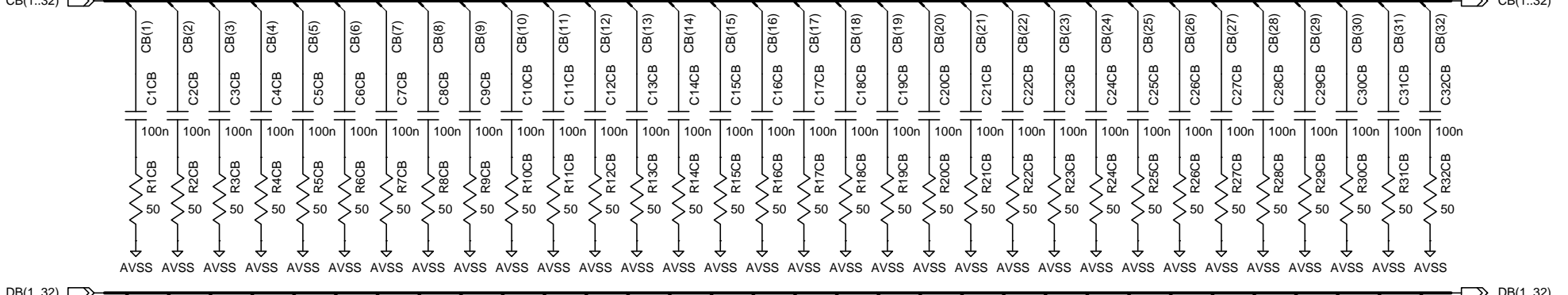
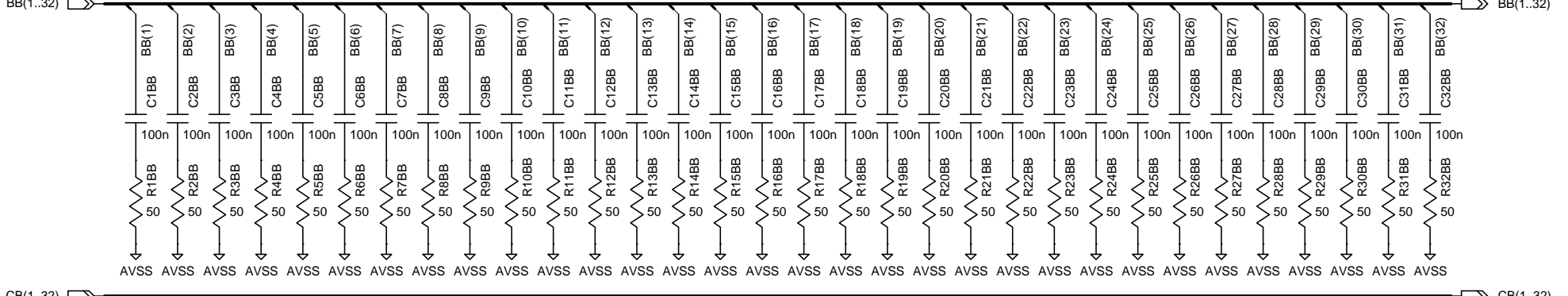
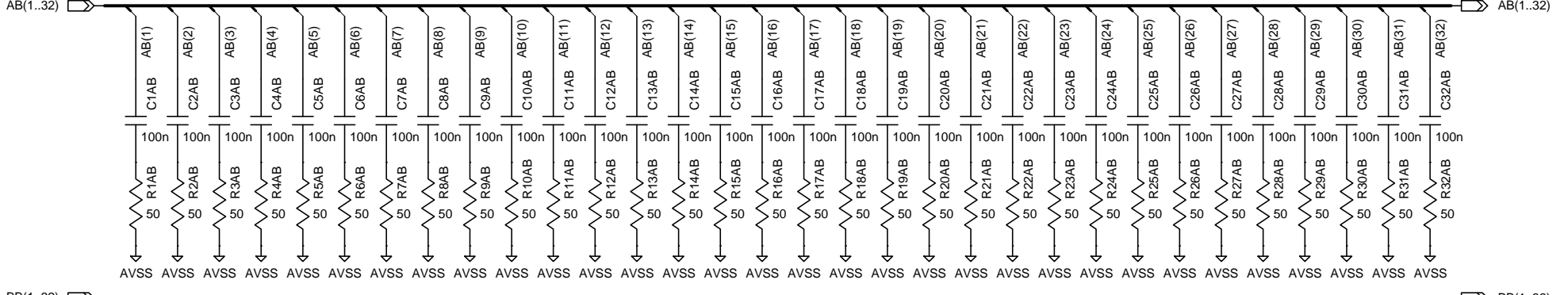
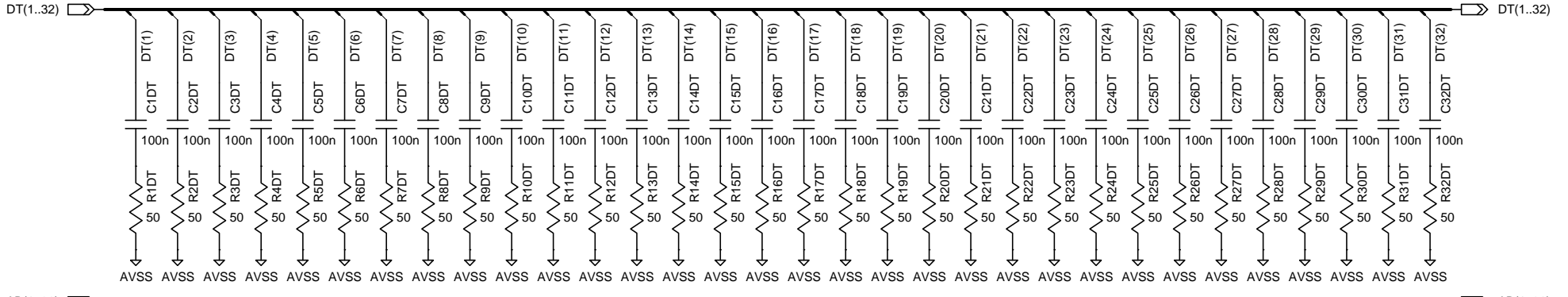
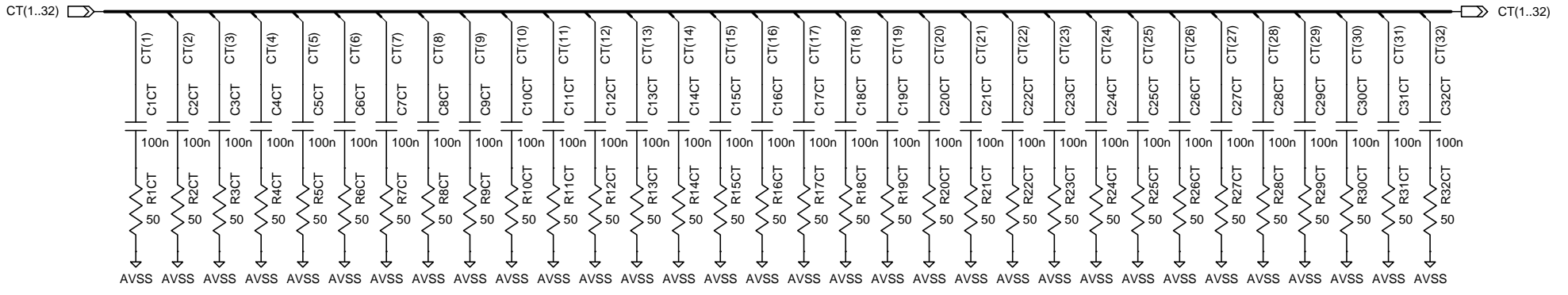
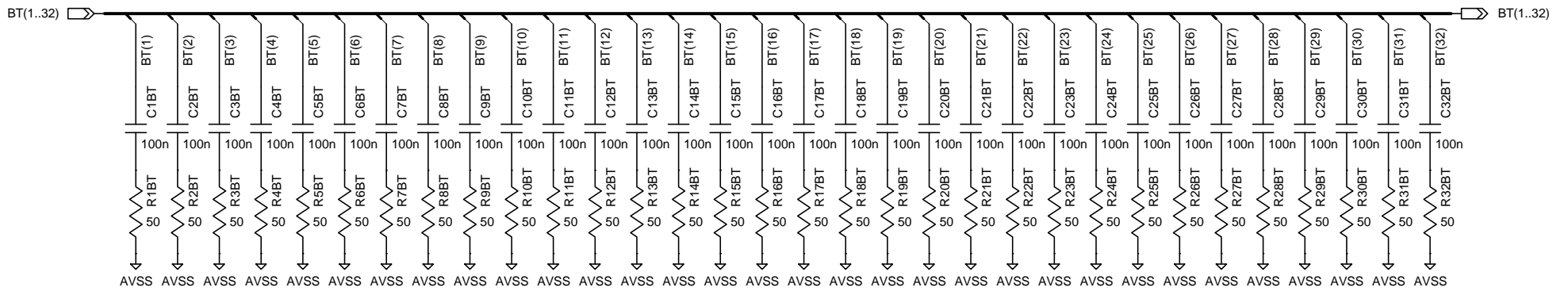
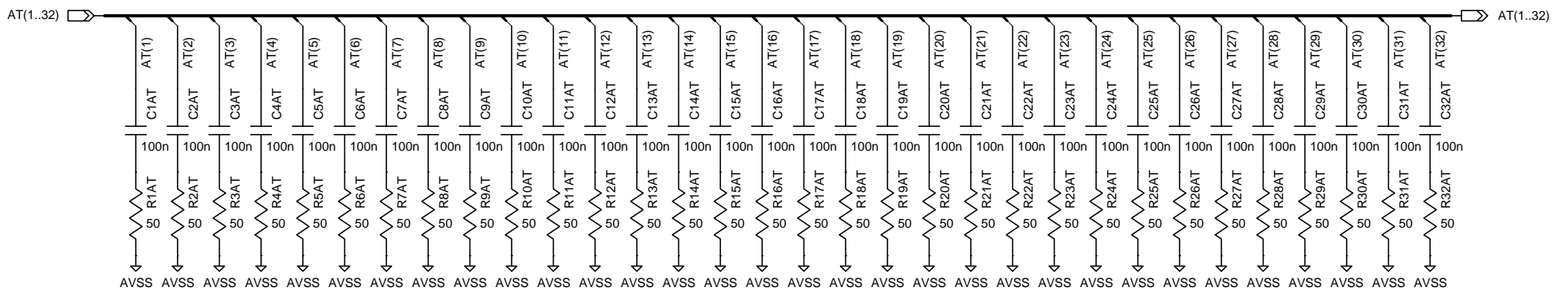
BOTTOM DETECTORS

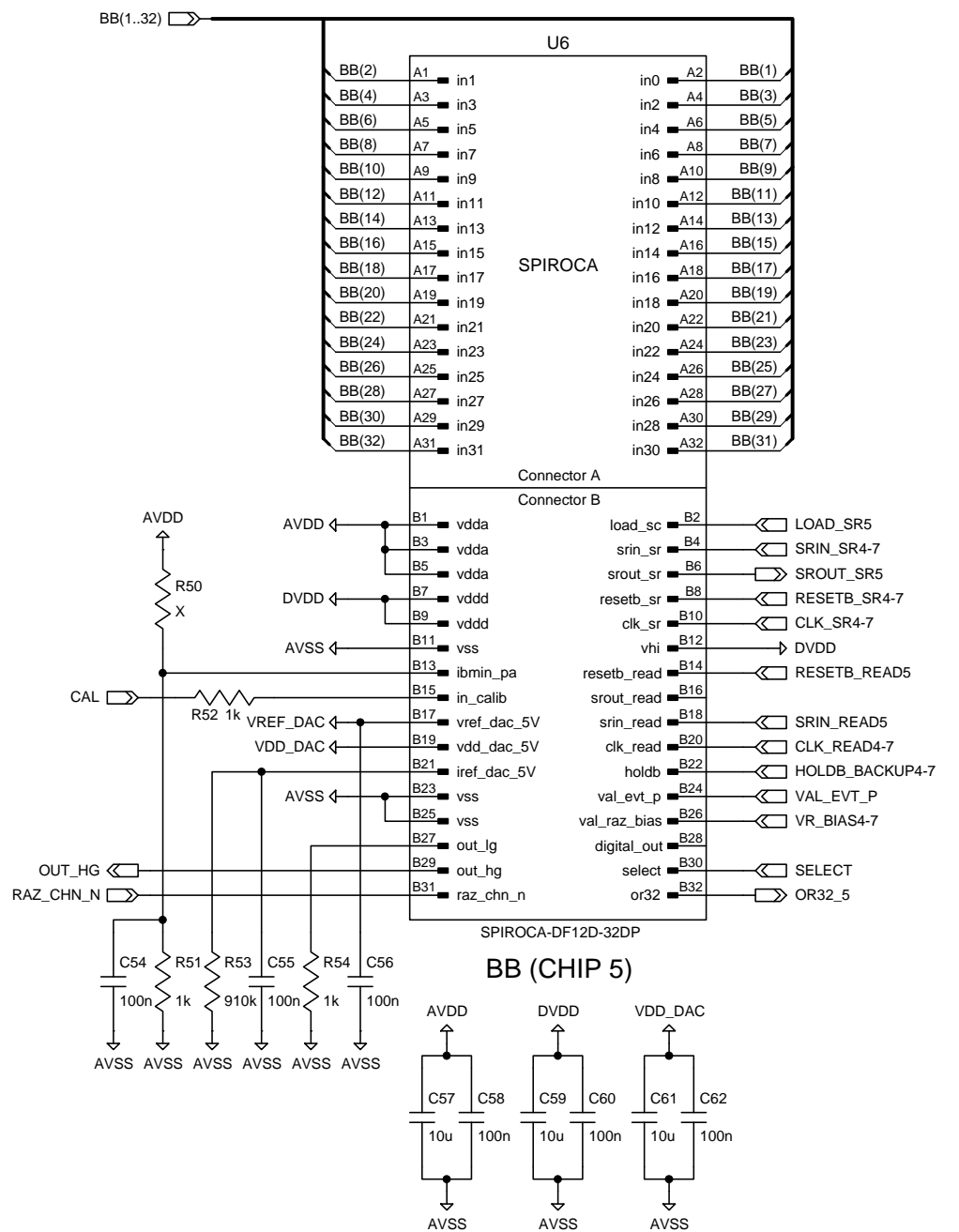
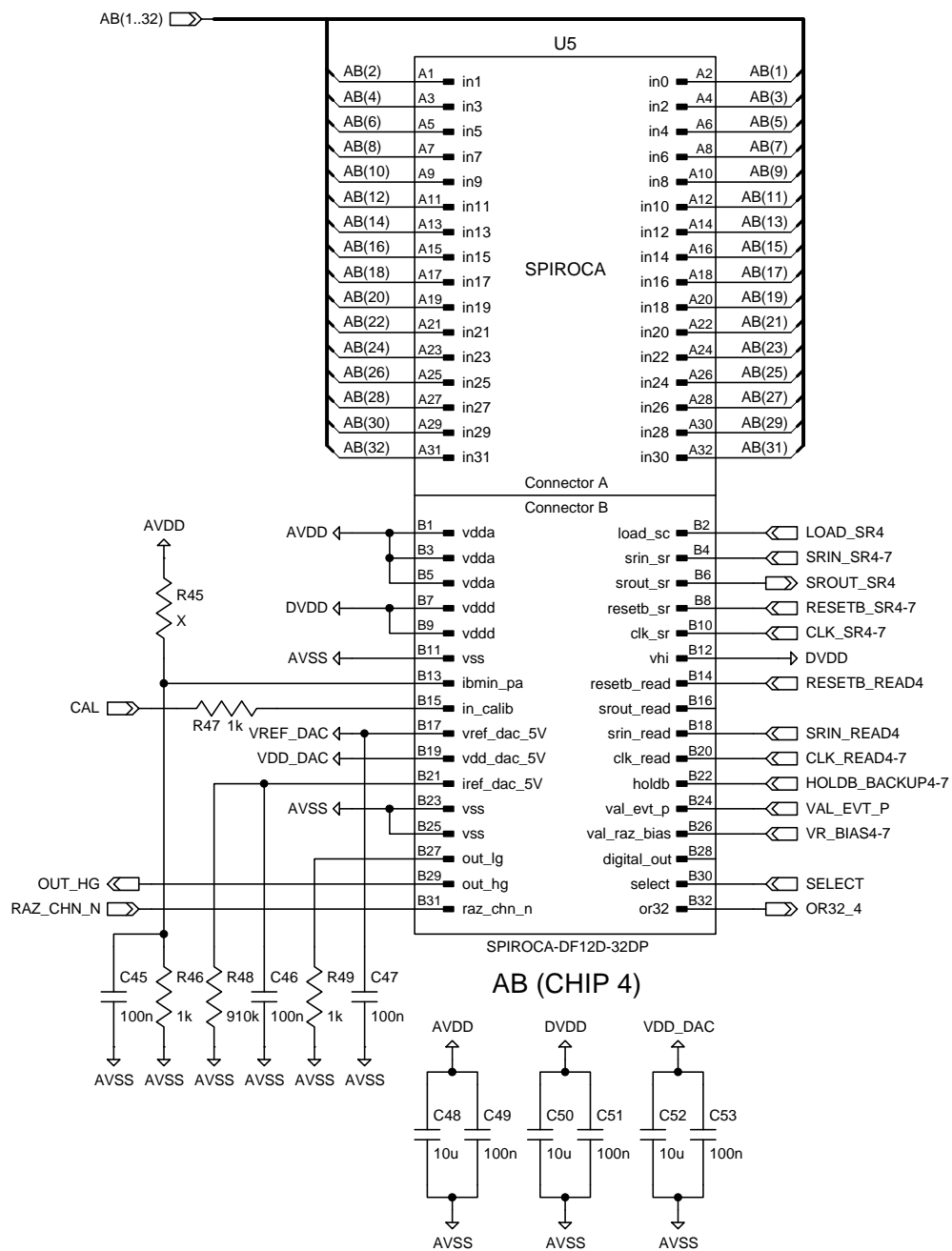
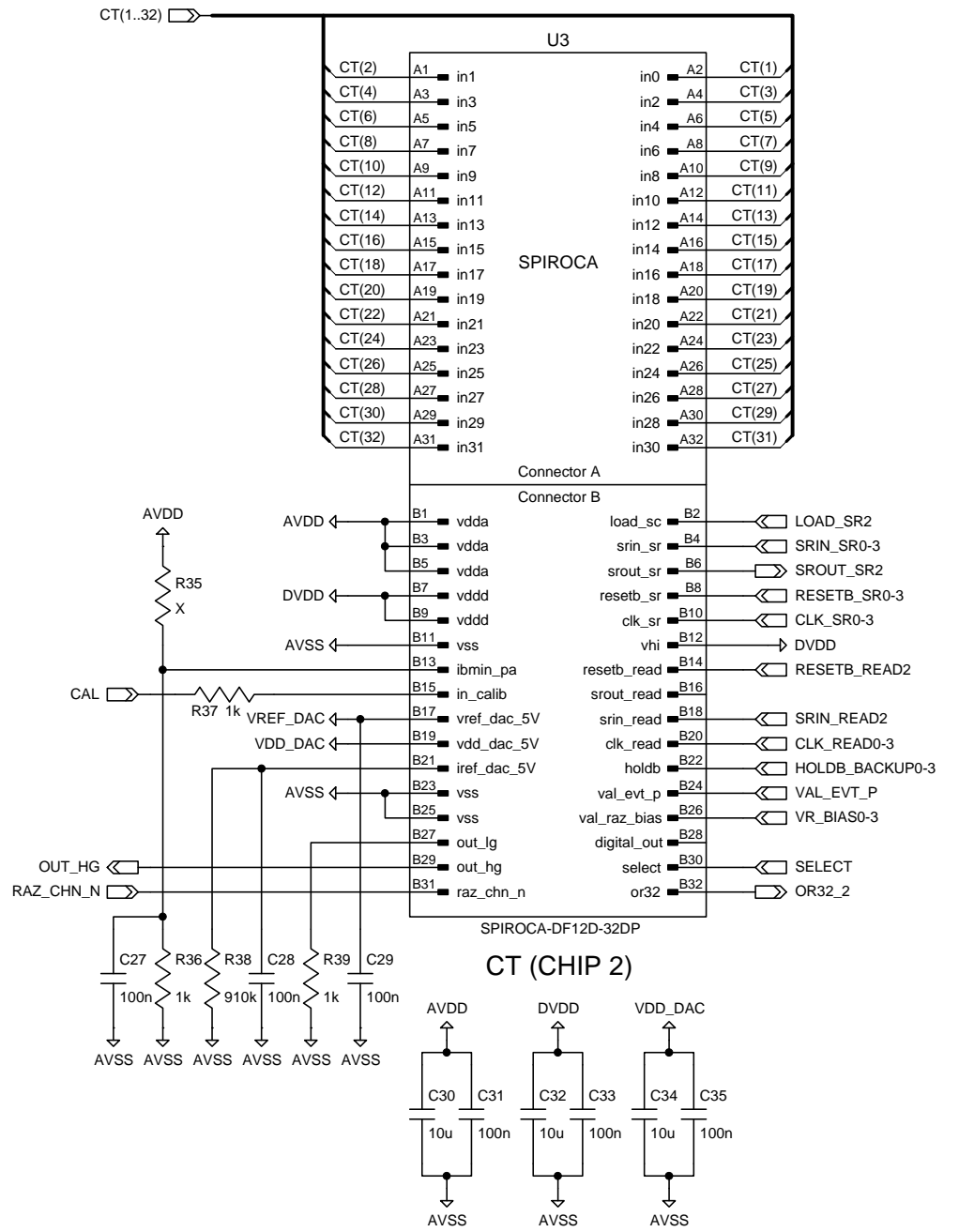
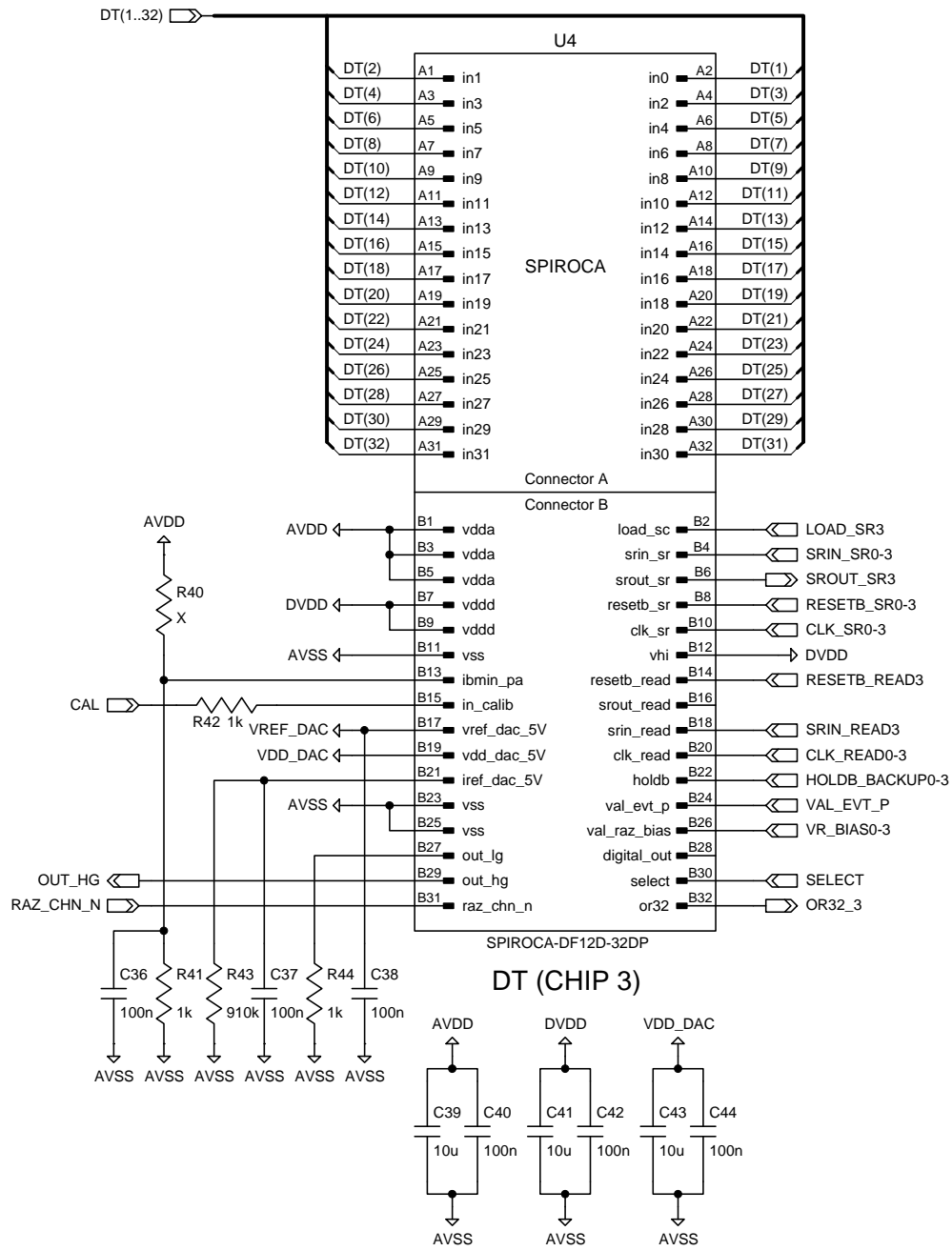
CURRENT MONITOR

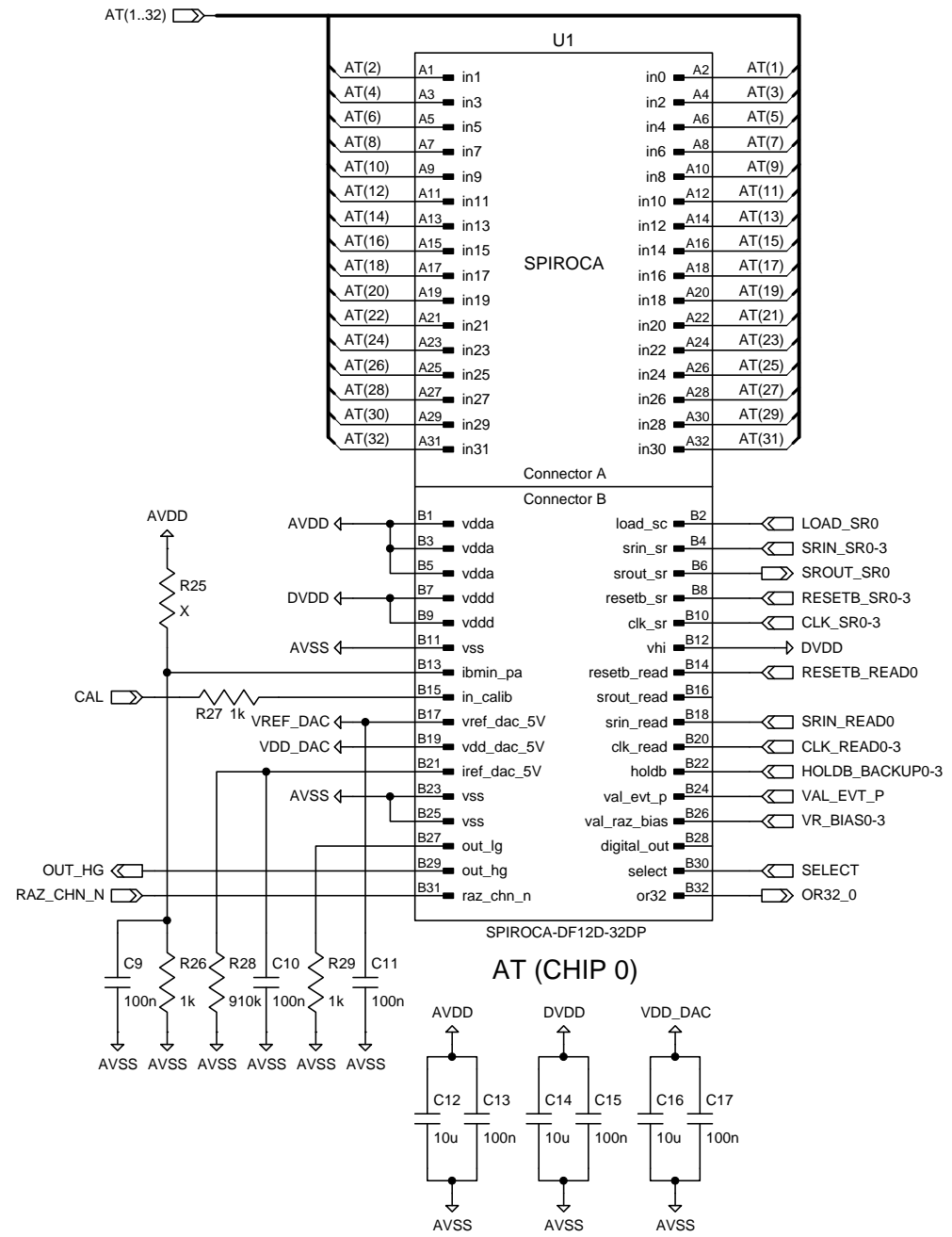
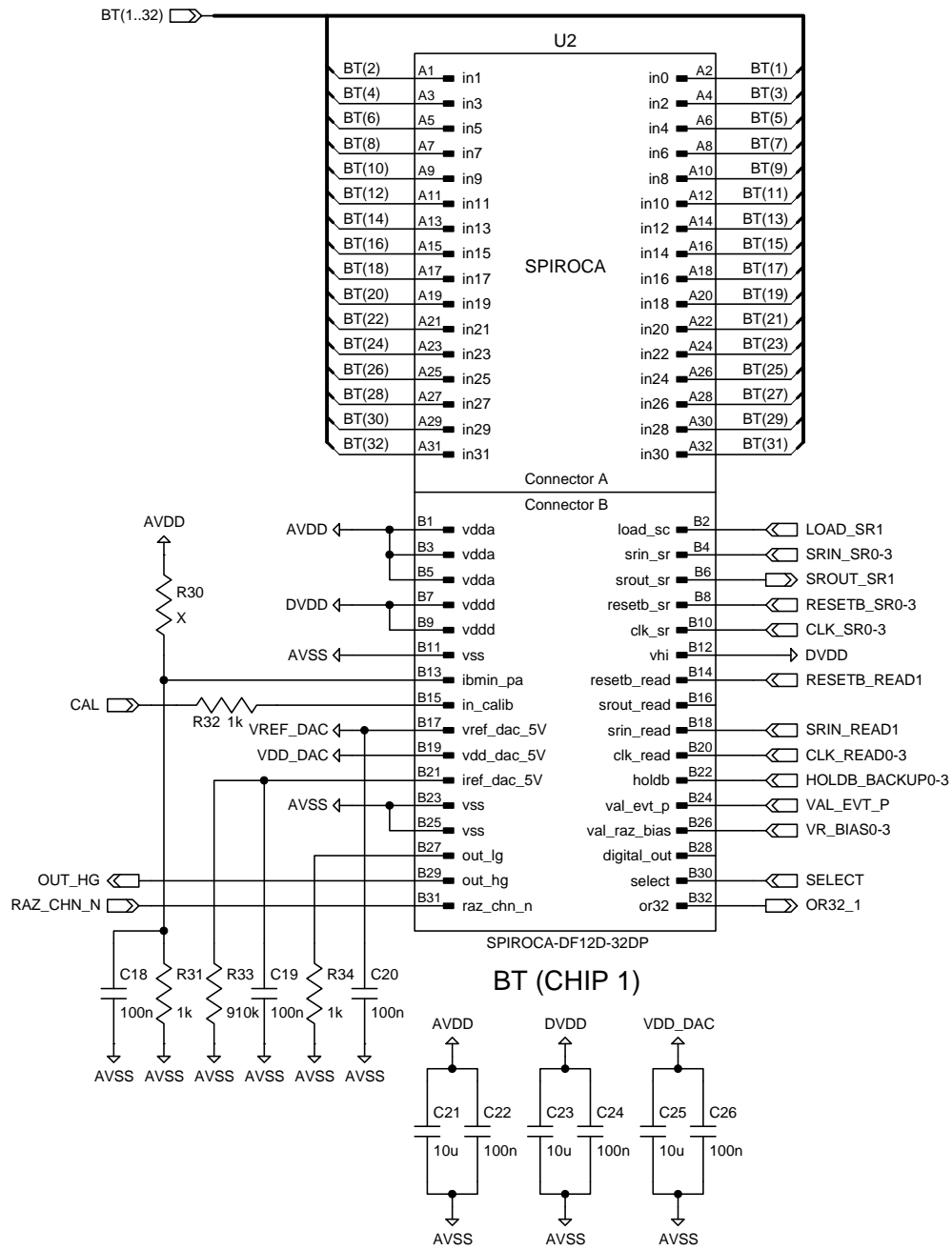


VOLTAGE MONITOR

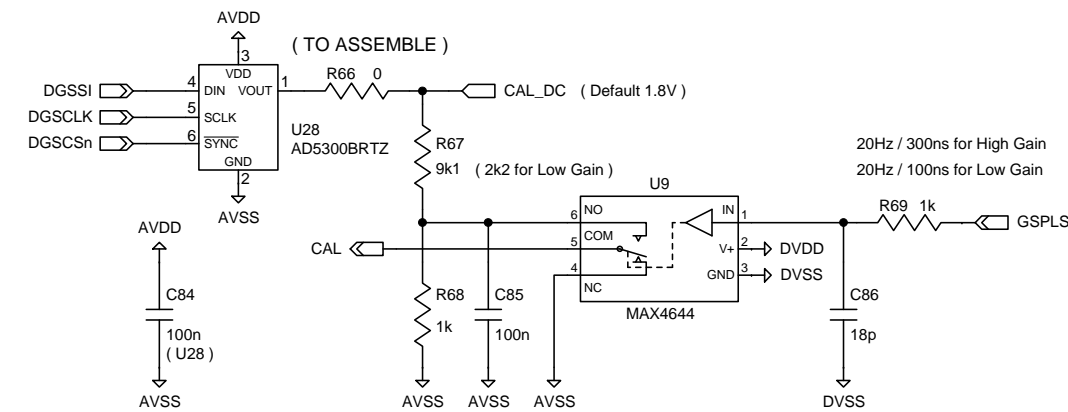
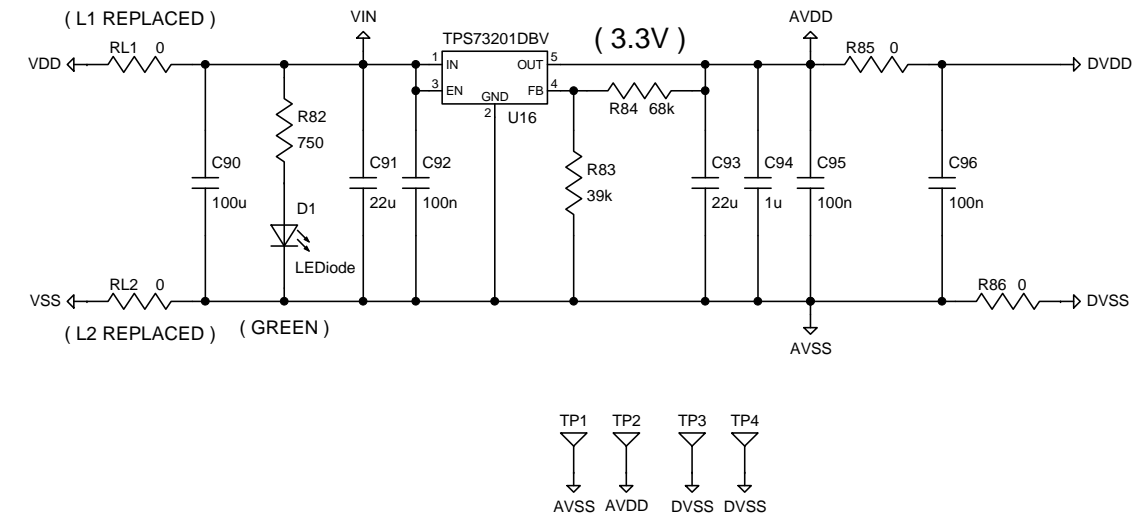
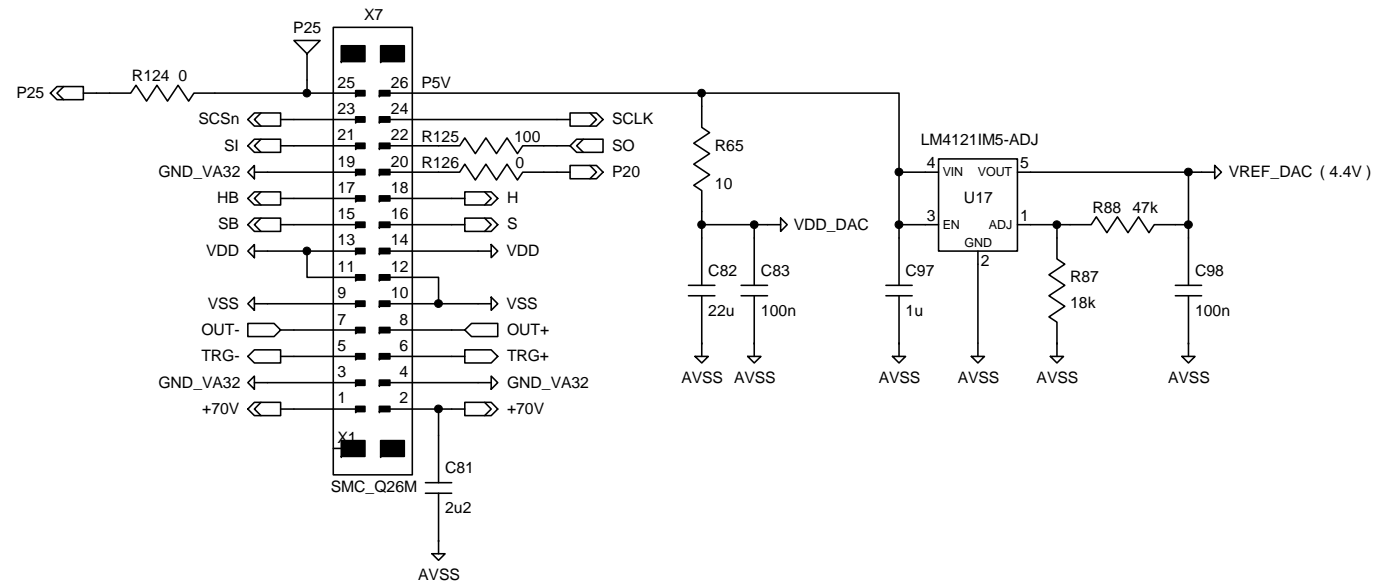




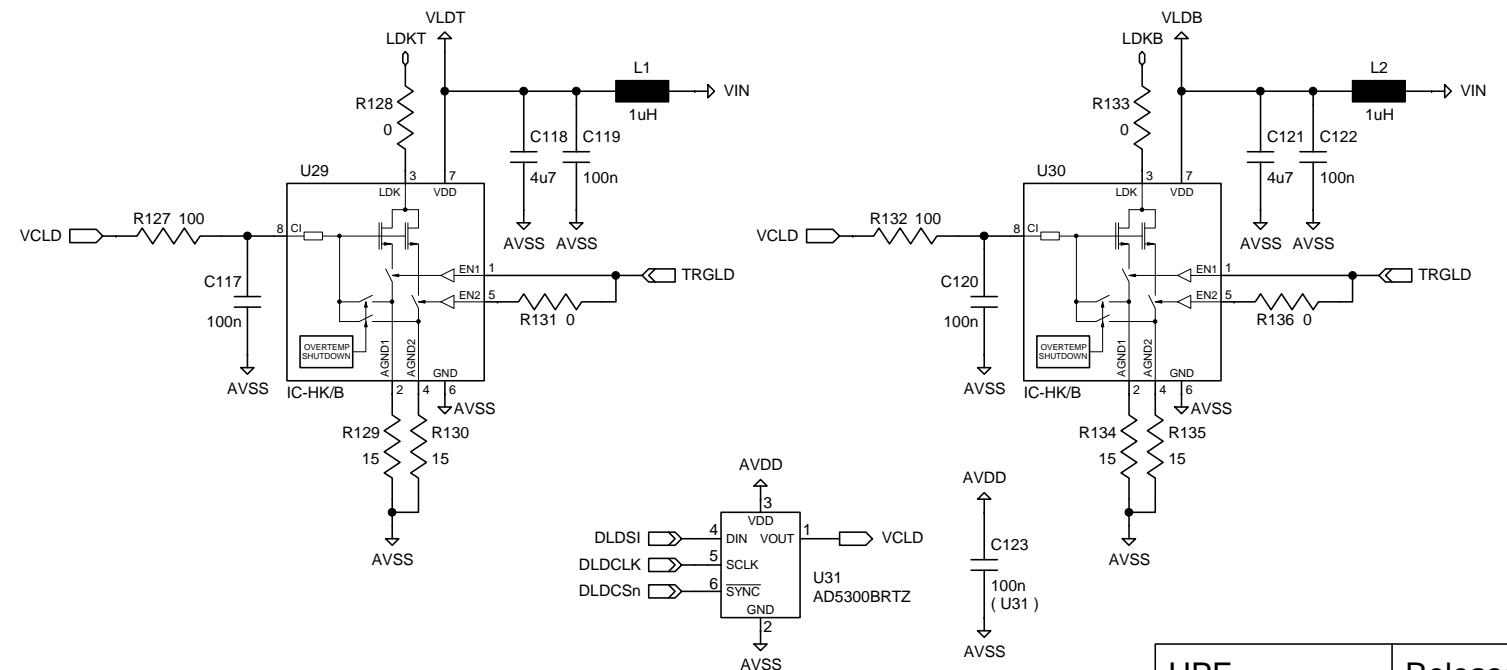
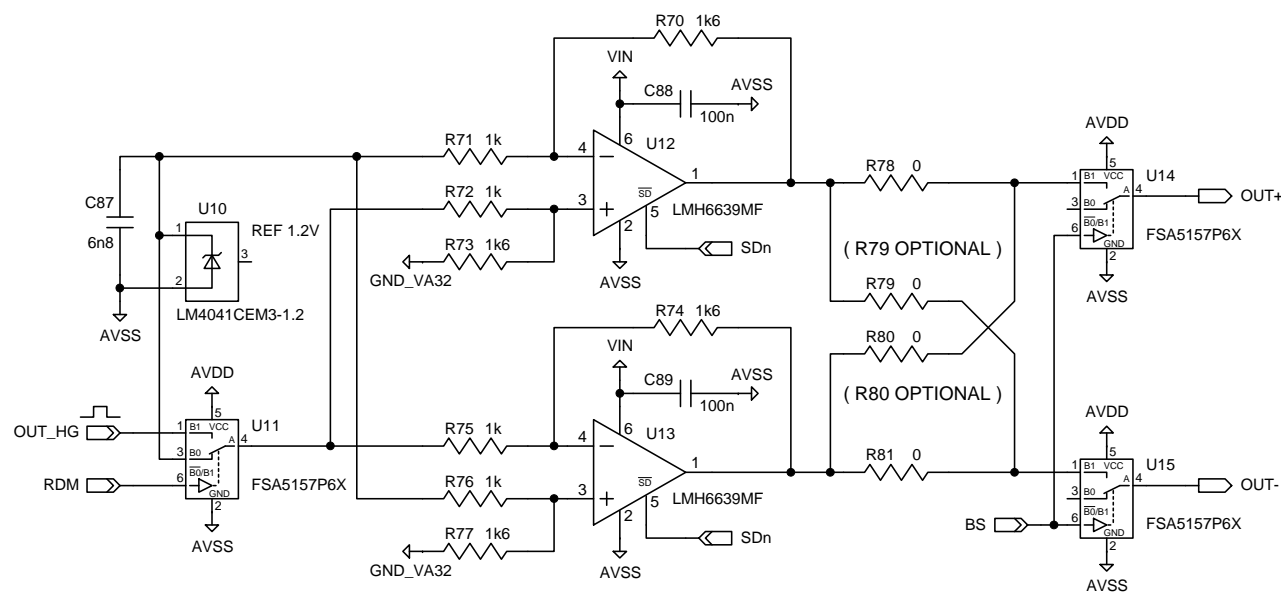
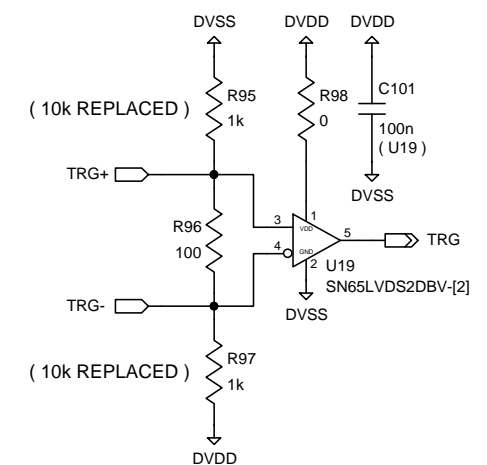
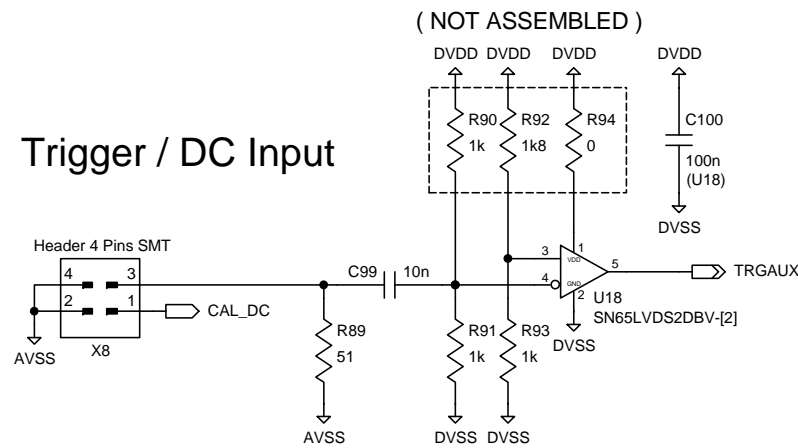




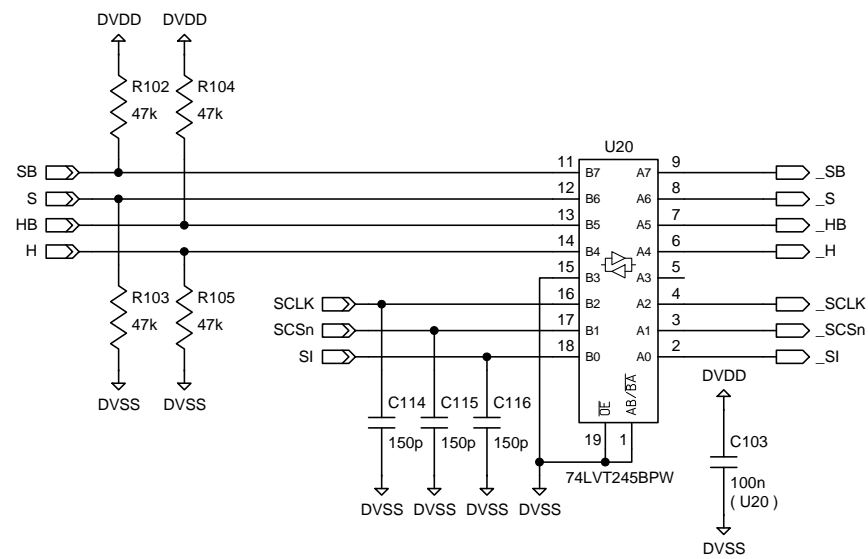
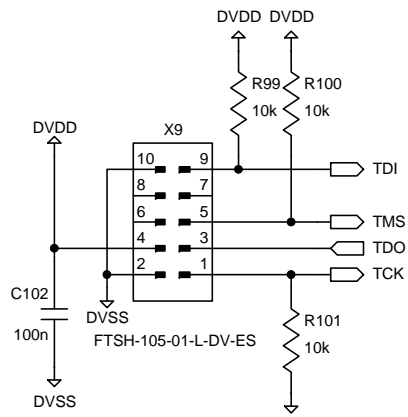
Uplink Connector



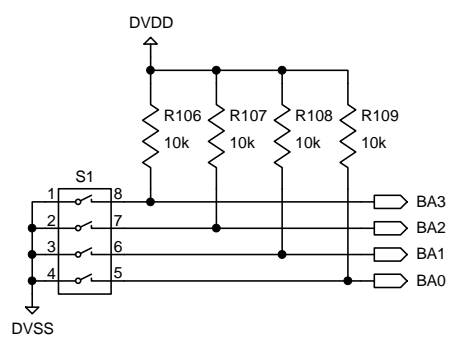
Trigger / DC Input



JTAG Connector



Board Address



Function Selection

