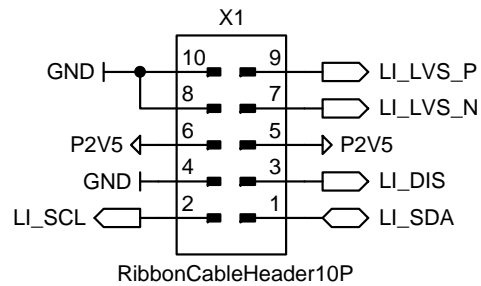
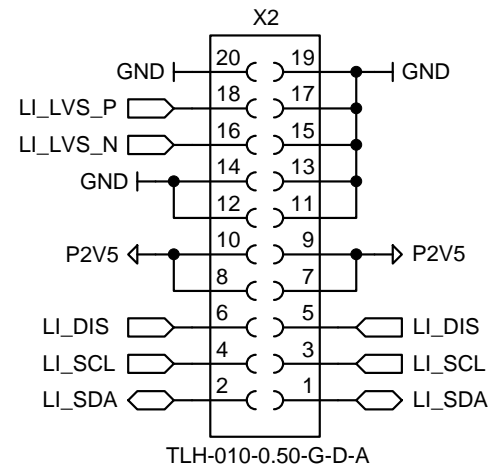


FROM I2C ADDRESS TRANSLATOR



TO LASER DRIVER LIS 2.1



I2C 3M-TO-LIS
Adapter

Release 1.0
14-Nov-2018
Page 1 of 1

RWTH-Aachen - I. Phys.Inst.