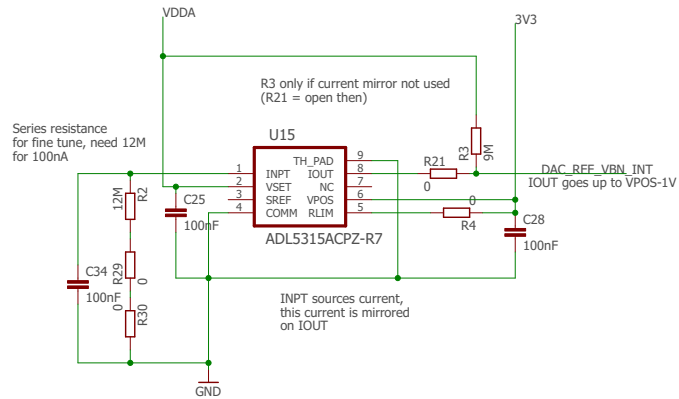
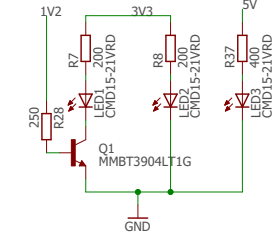


Title: fe65_p2_adapter-RevD
 Version: D
 12/23/2016 1:09 PM
 Drawn By: Timon Heim/Ben Bylsma 1/2

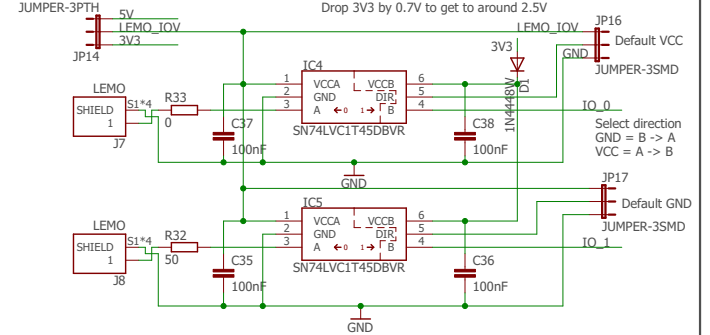
IRef constant current source



LEDs for supply voltages

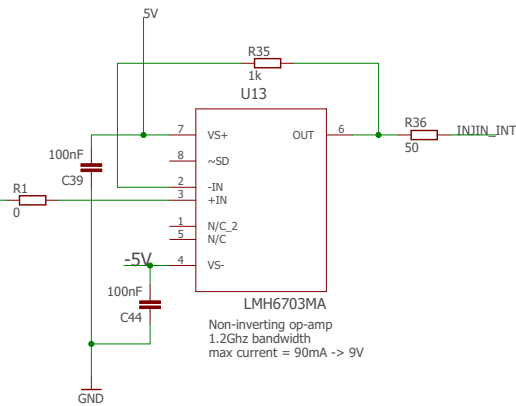
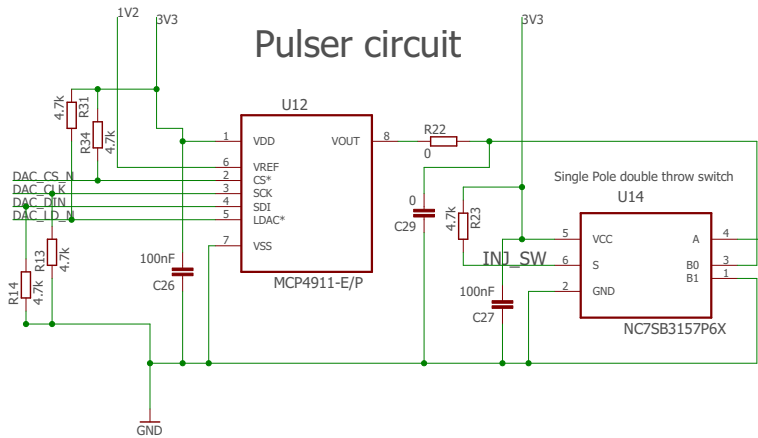


Select voltage level at Lemo

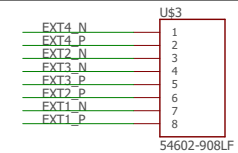


GPIO + Levelshifter

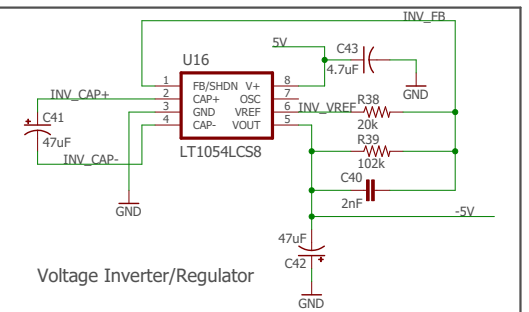
Pulsar circuit



RJ45 to VHDCI



Voltage Inverter/Regulator



Title:	fe65_p2_adapter-RevD
Version:	D
Date:	12/23/2016 1:09 PM
Drawn By:	Timon Heim/Ben Bylsma 2/2