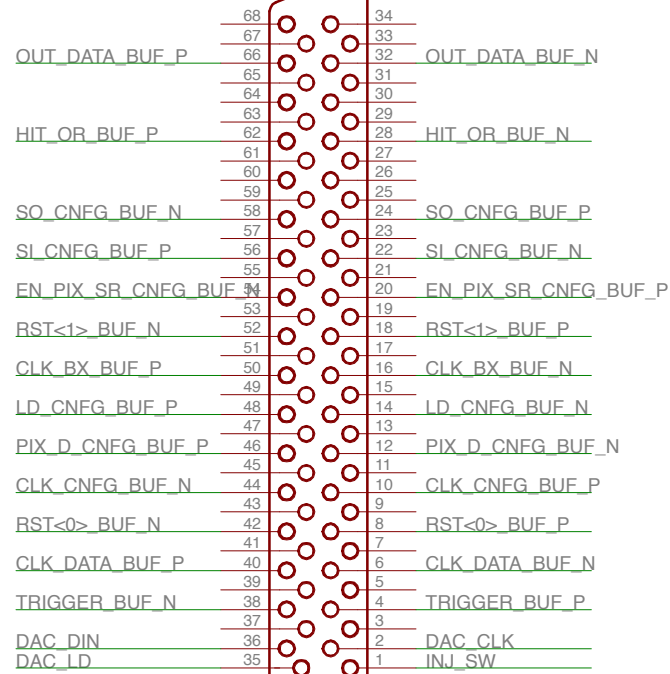
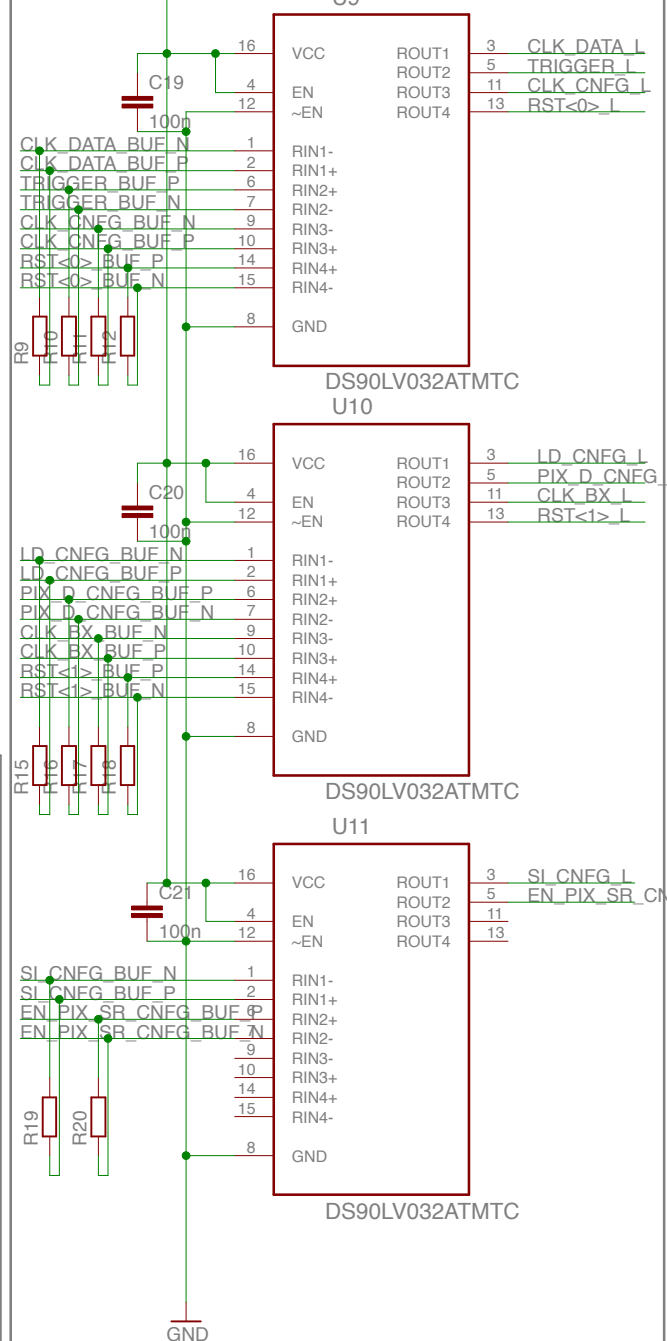


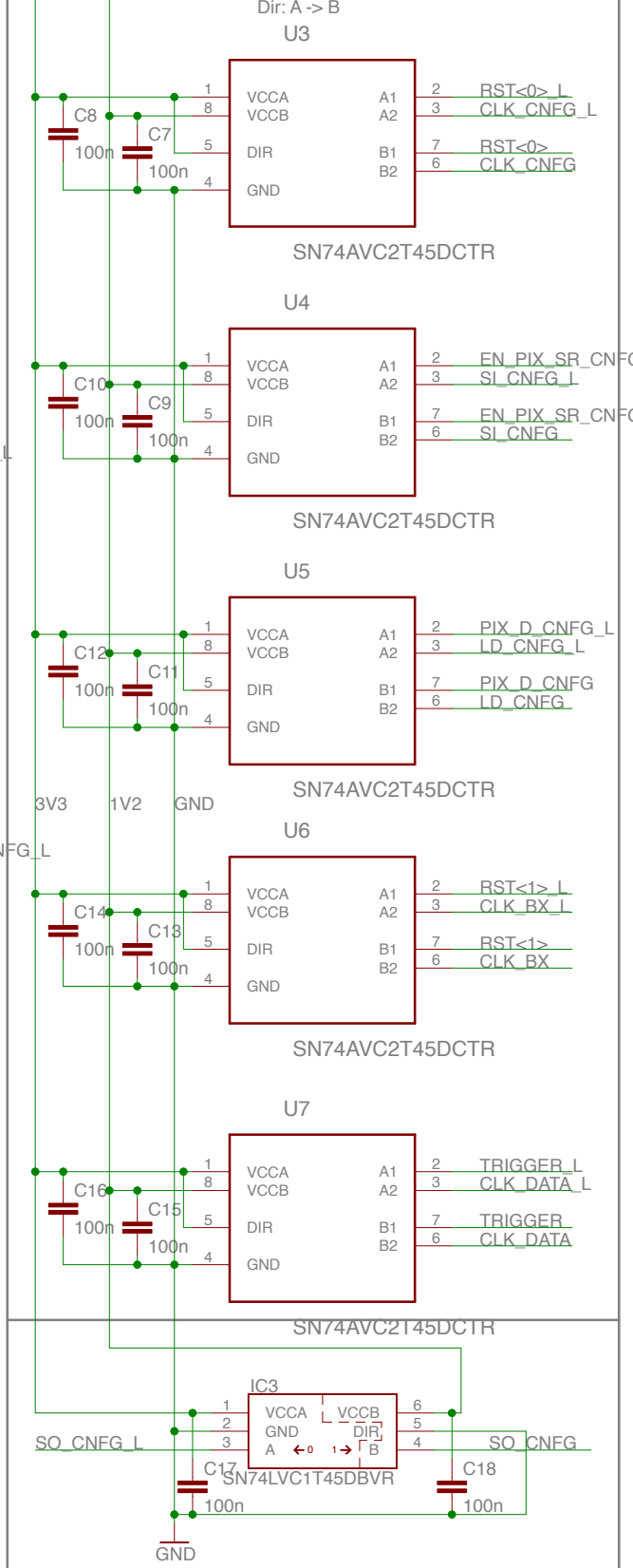
VHDCI to YARR



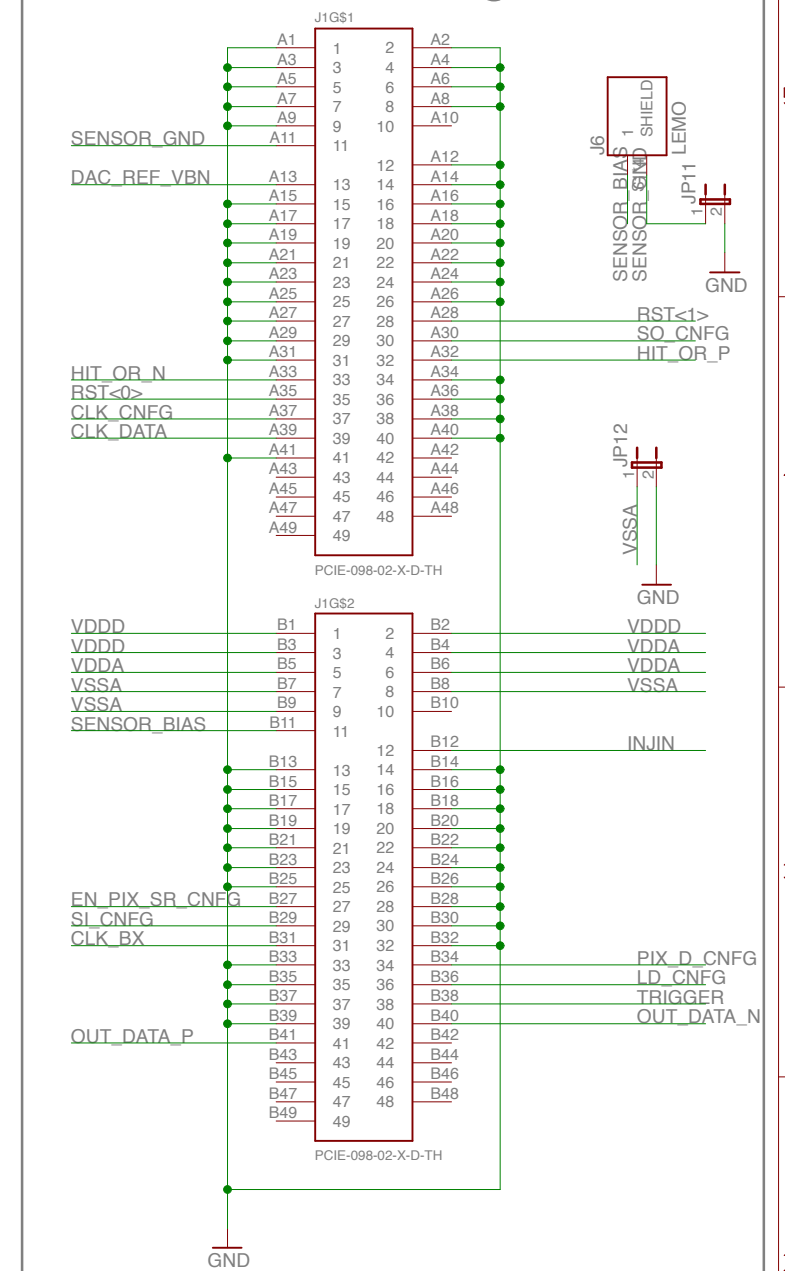
LVDS to CMOS



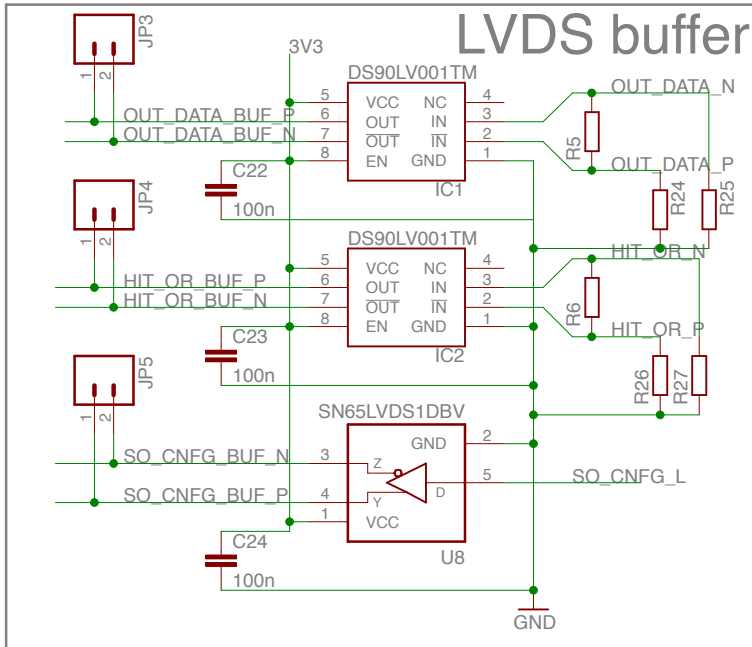
Level shifter



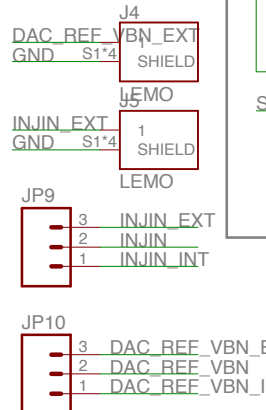
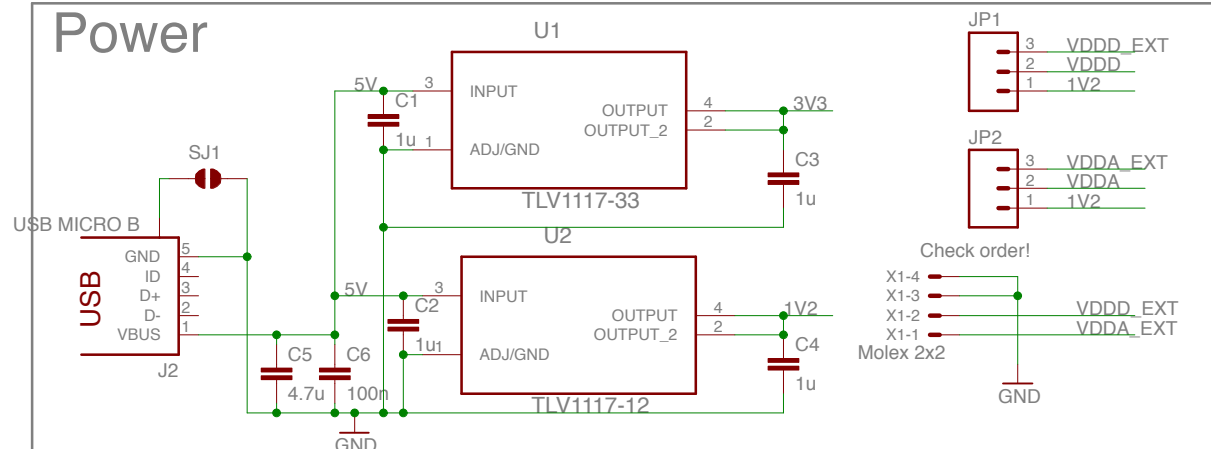
PCIe card edge con



LVDS buffer

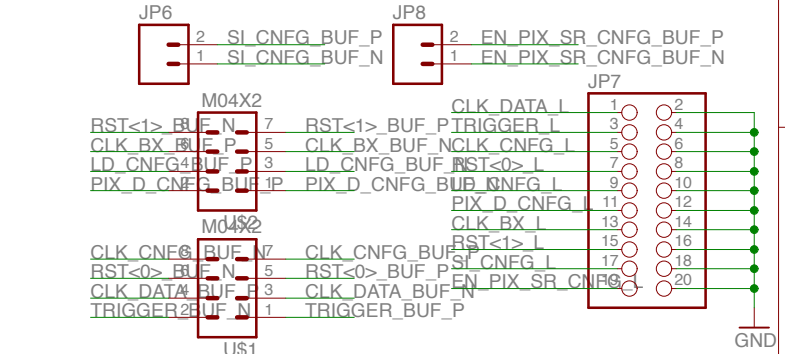


Power

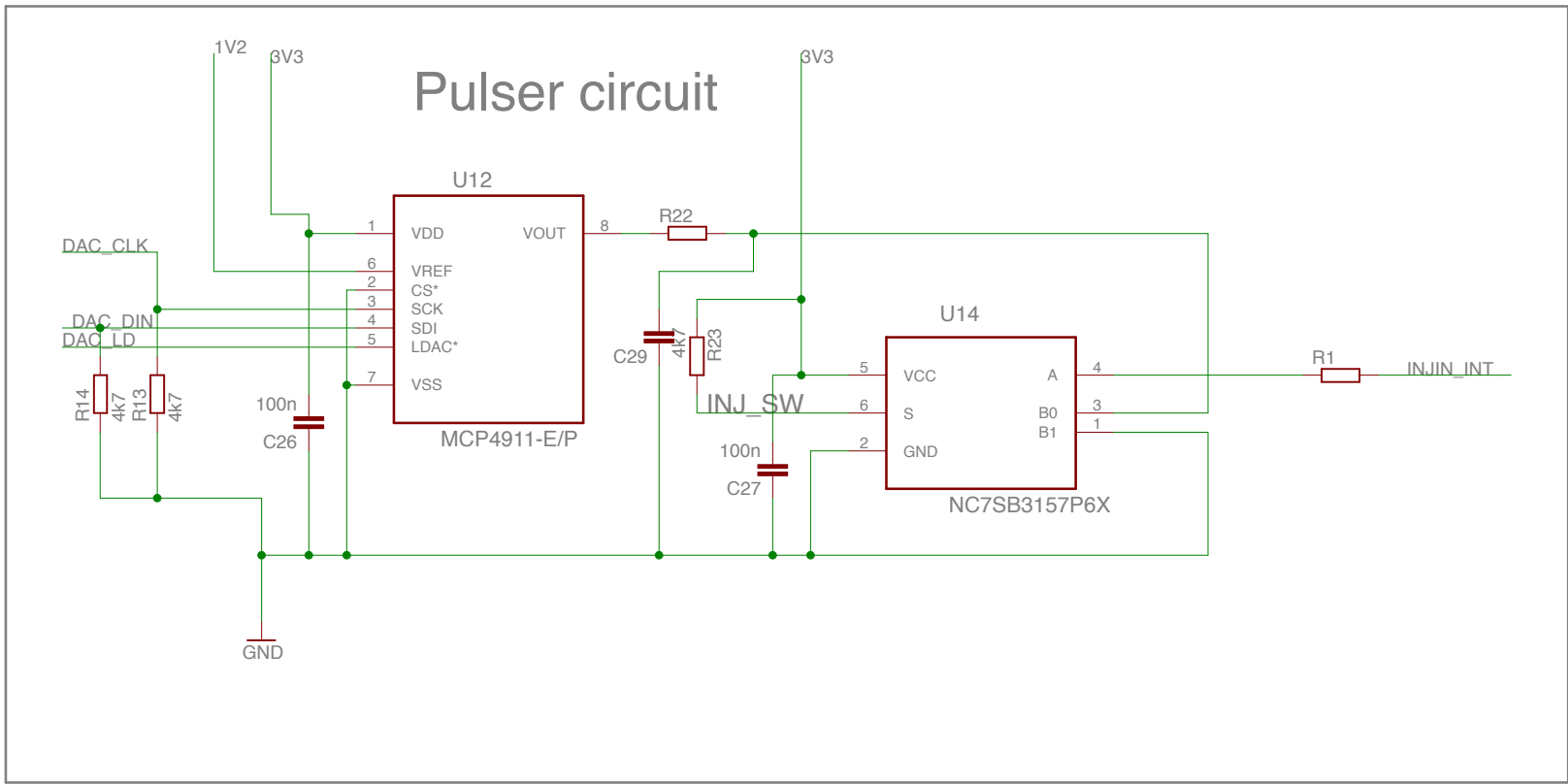
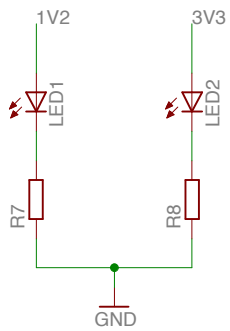
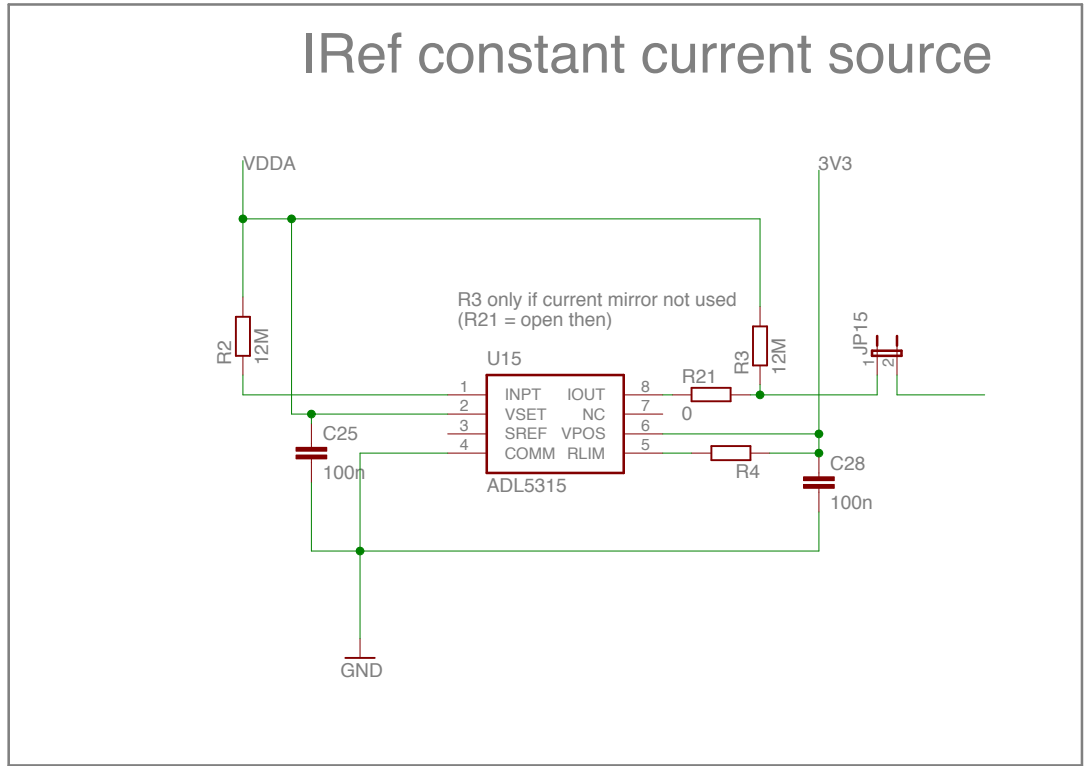


(INTERNAL see next page)
INJECT & IREF

Test header



Title: fe65_p2_adapter-RevB
Version: B
26/01/16 12:10
Drawn By: Timon Heim



Title: fe65_p2_adapter-RevB	
Version: B	
26/01/16 12:10	
Drawn By: Timon Heim	2/2