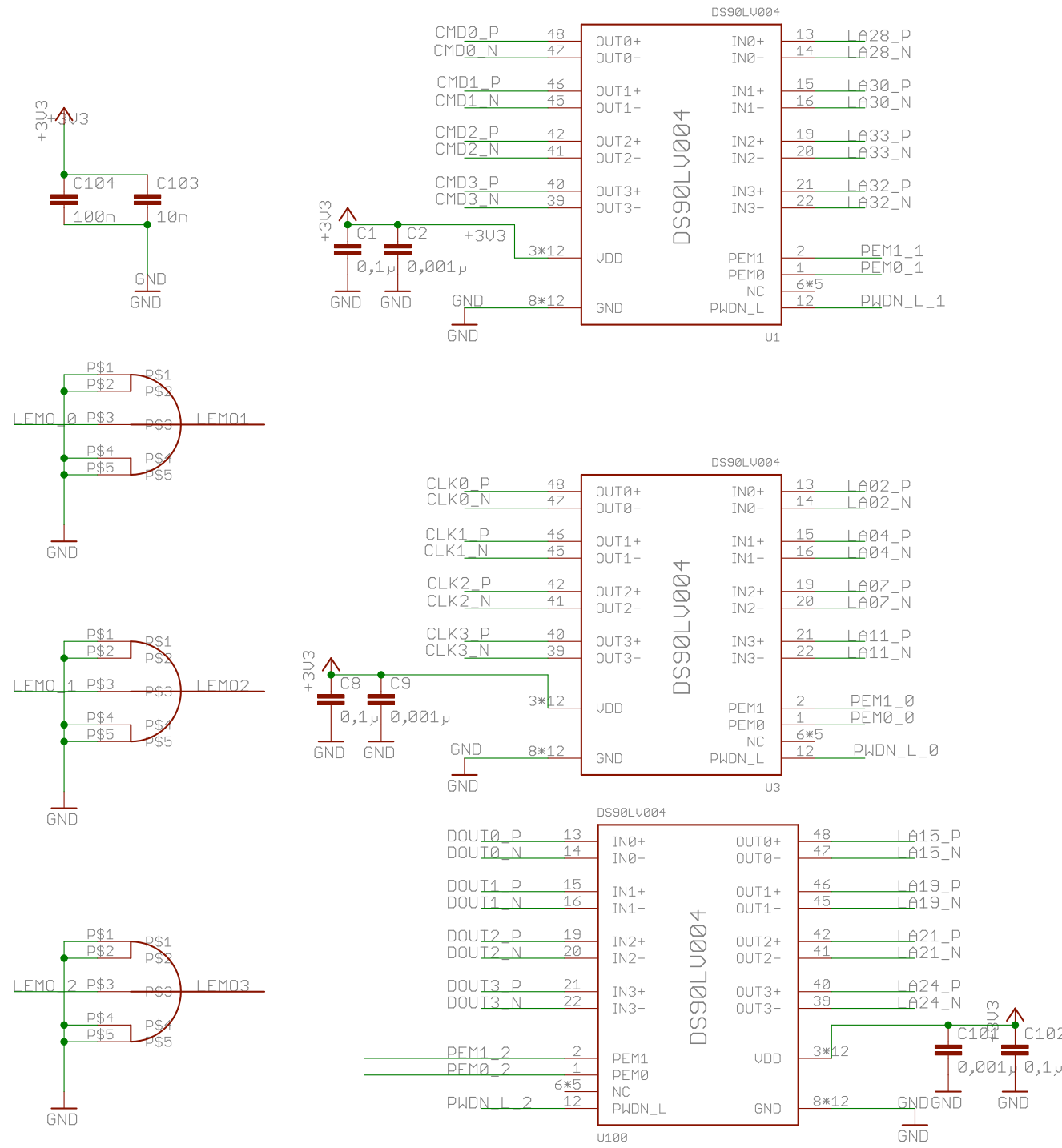
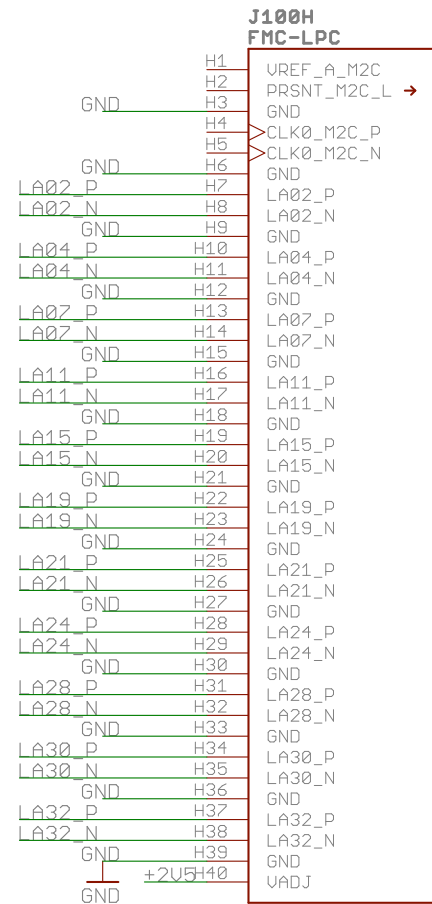
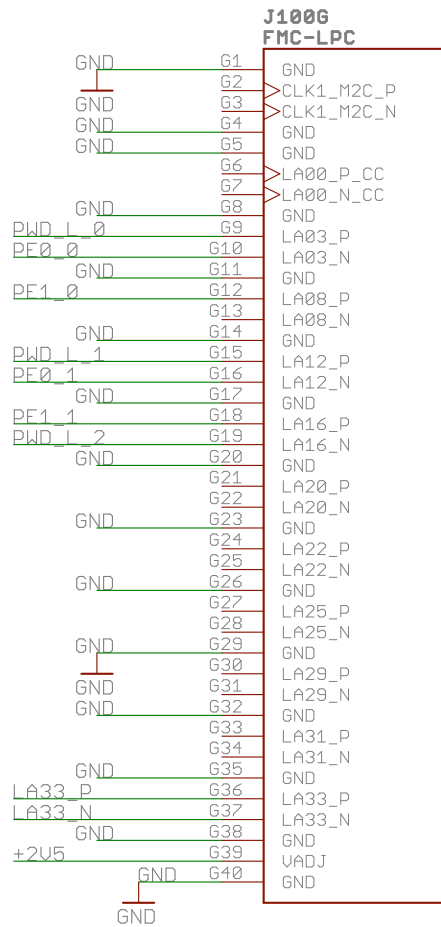
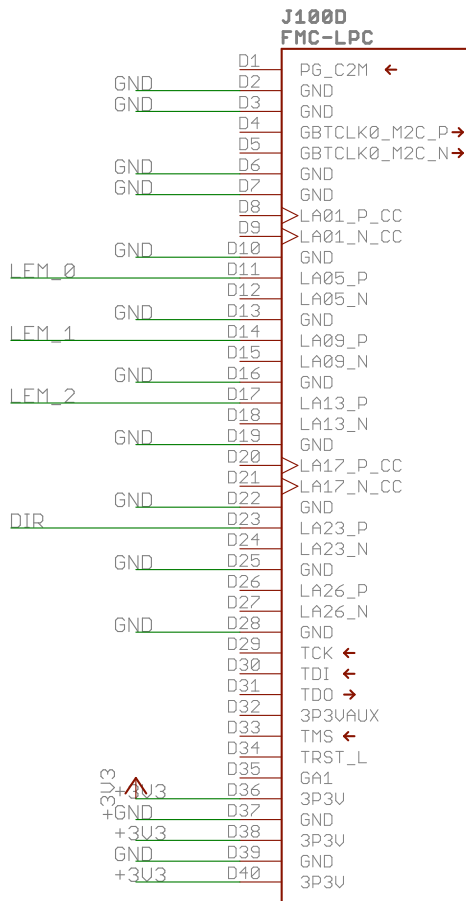
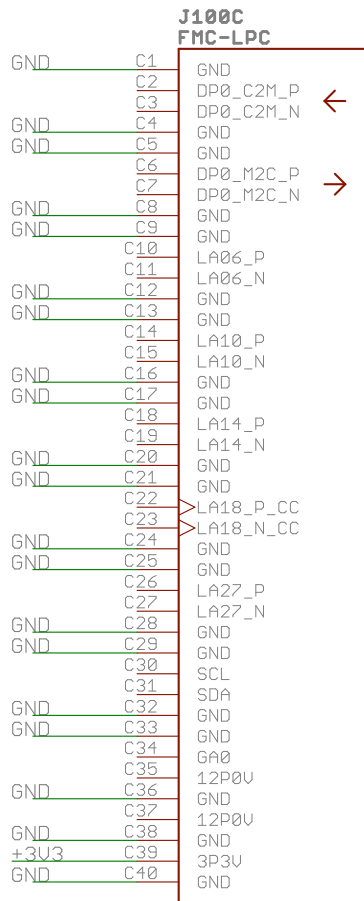


TITLE: yarr-2layer	
Document Number:	REV:
Date: 08/10/15 16:54	Sheet: 1/3



TITLE: yarr-2layer	
Document Number:	REV:
Date: 08/10/15 16:54	Sheet: 2/3



TITLE: yarr-2layer

Document Number:

REU:

Date: 08/10/15 16:54

Sheet: 3/3