

6

5

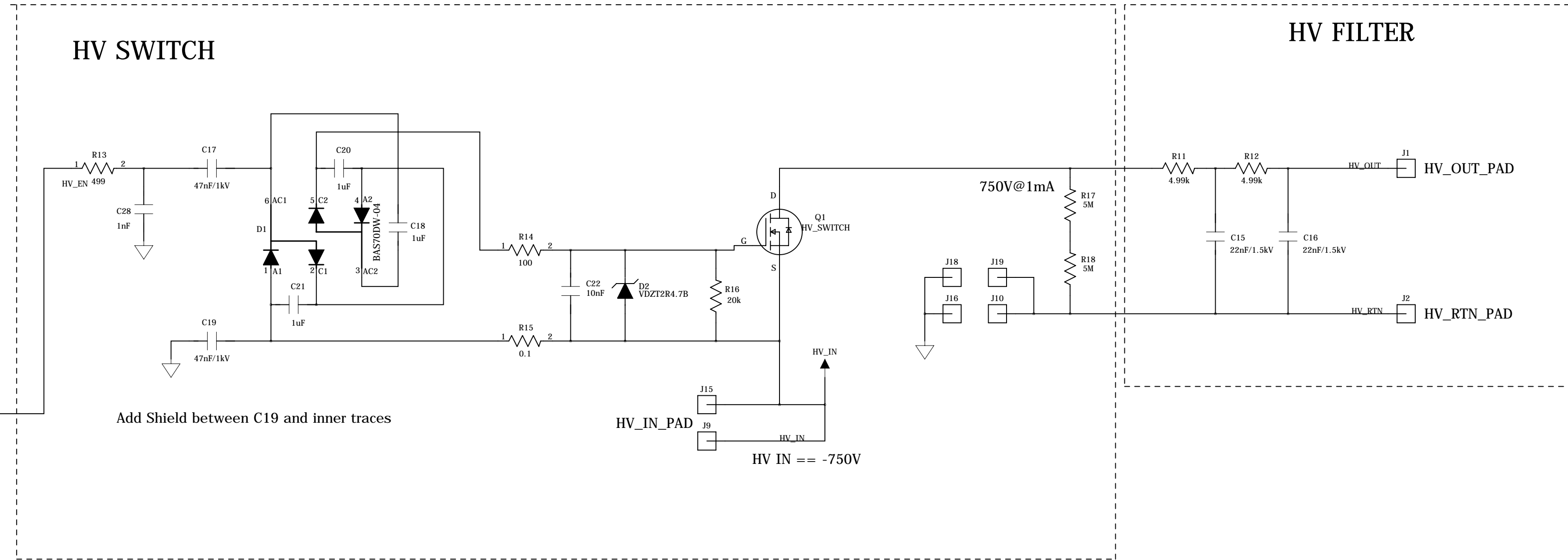
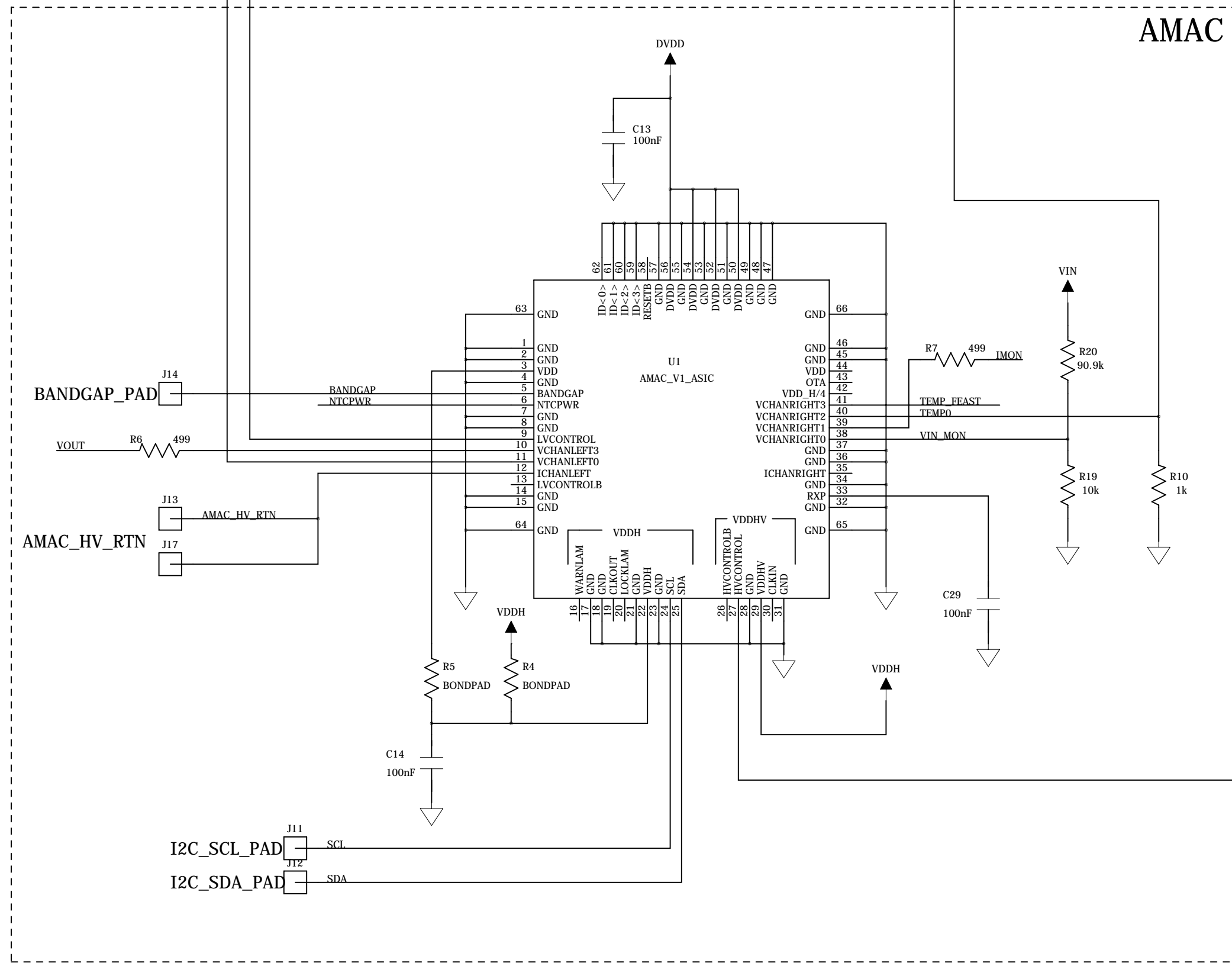
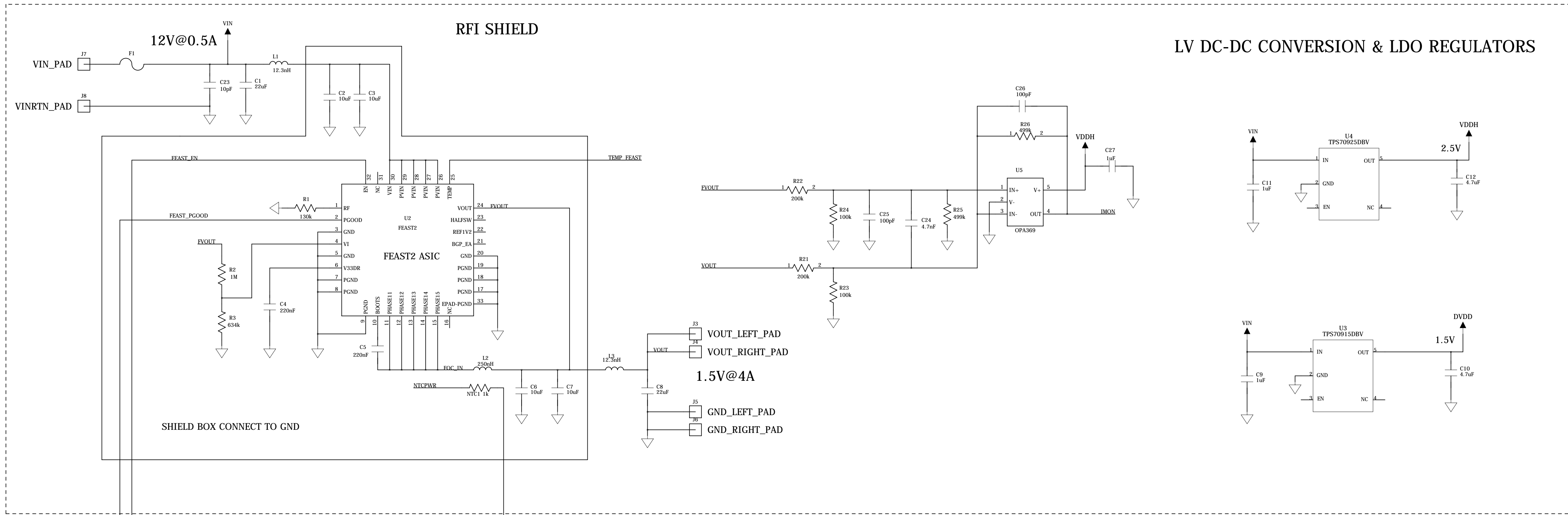
4

3

2

1

REVISION RECORD			
LTR	ECO NO.	APPROVED:	DATE:



COMPANY:		LBNL	
TITLE:			
SCHEMATIC DIAGRAM: POWERBOARD V2			
DRAWN:	J. JOSEPH	DATED:	20161022
CHECKED:	T. HELM	DATED:	<Checked Date>
QUALITY CONTROL:	T. HELM	DATED:	<QC Date>
RELEASED:	<Released By>	DATED:	<Release Date>
CODE:	<Code>	SIZE:	D
DRAWING NO.:	LBL-ATLASU-PBV2	REV:	0
SCALE: NONE			SHEET: 1 OF 1

D

C

B

A

D

C

B

A