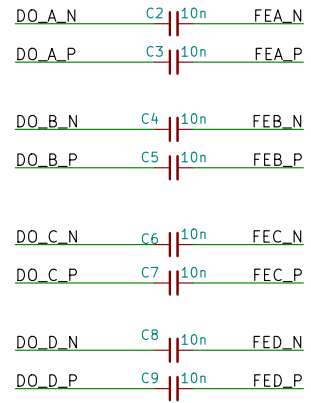
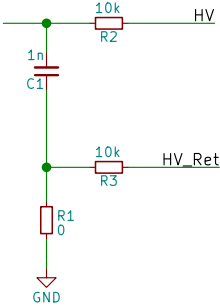


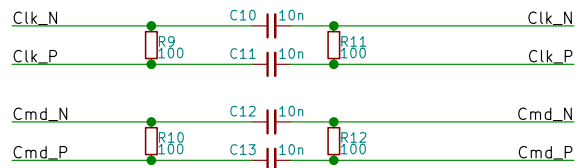
AC Coupling



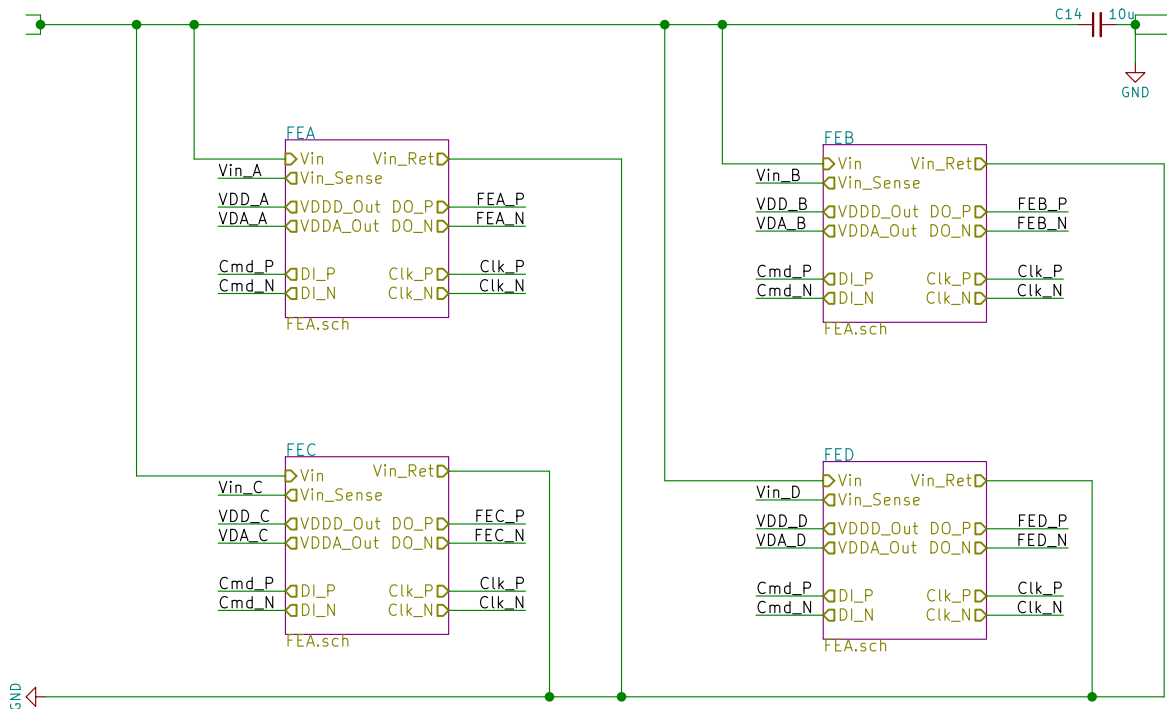
Low Pass HV filter



LVDS Termination:
Mount only one resistor per pair



Power and Return from solder pads



Sheet: /	
File: module.sch	
Title:	
Size: A4	Date:
KiCad E.D.A.	kiCad 4.0.6
Rev:	
Id: 1/5	