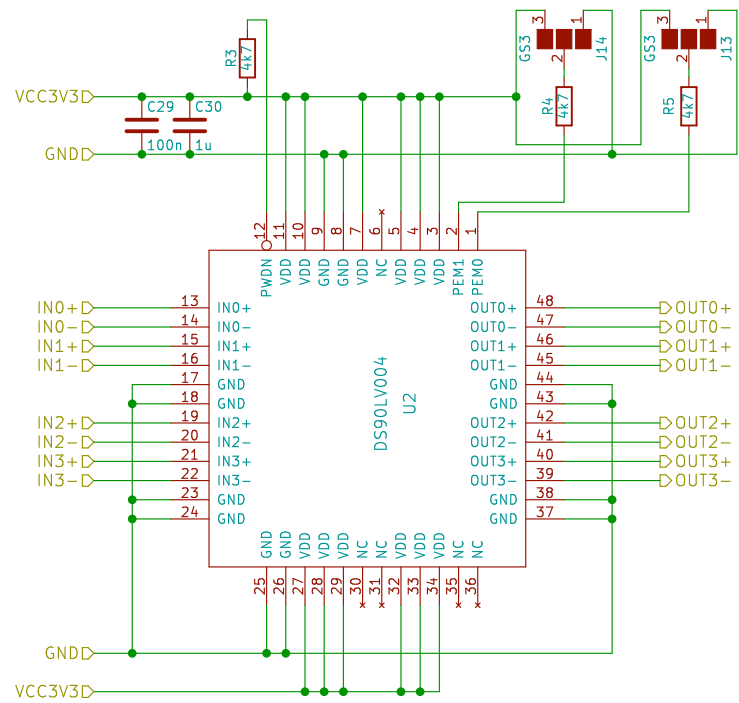


Timon Heim
LBNL
 Sheet: /
 File: vhdci_fei4_rj45.sch
Title: VHDCI FE-14 RJ45 Adapter
 Size: A4 Date: 2017-05-05
 KiCad E.D.A. eeschema 4.0.6 Rev: A
 Id: 1/10



Timon Heim

LBNL

Sheet: /LVDSredriverA/

File: LVDSredriver.sch

Title: VHDCI FE-14 RJ45 Adapter

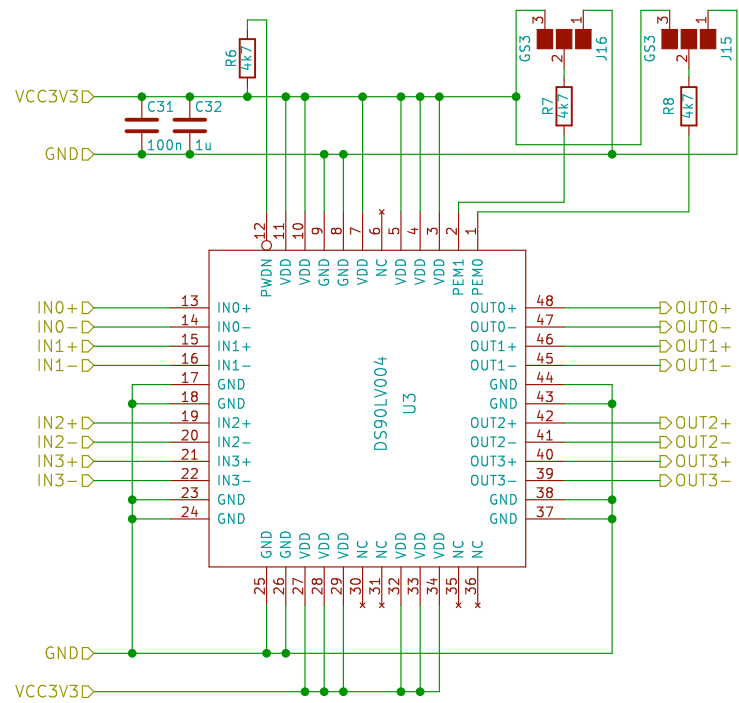
Size: A4

Date: 2017-05-05

Rev: A

KiCad E.D.A. eeschema 4.0.6

Id: 2/10



Timon Heim

LBNL

Sheet: /LVDSredriverB/

File: LVDSredriver.sch

Title: VHDCI FE-14 RJ45 Adapter

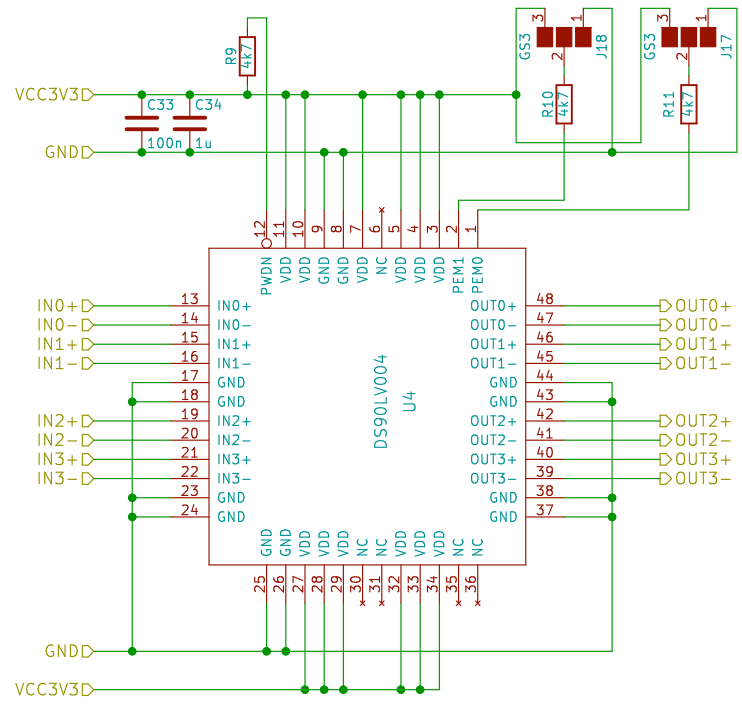
Size: A4

Date: 2017-05-05

Rev: A

KiCad E.D.A. eeschema 4.0.6

Id: 3/10



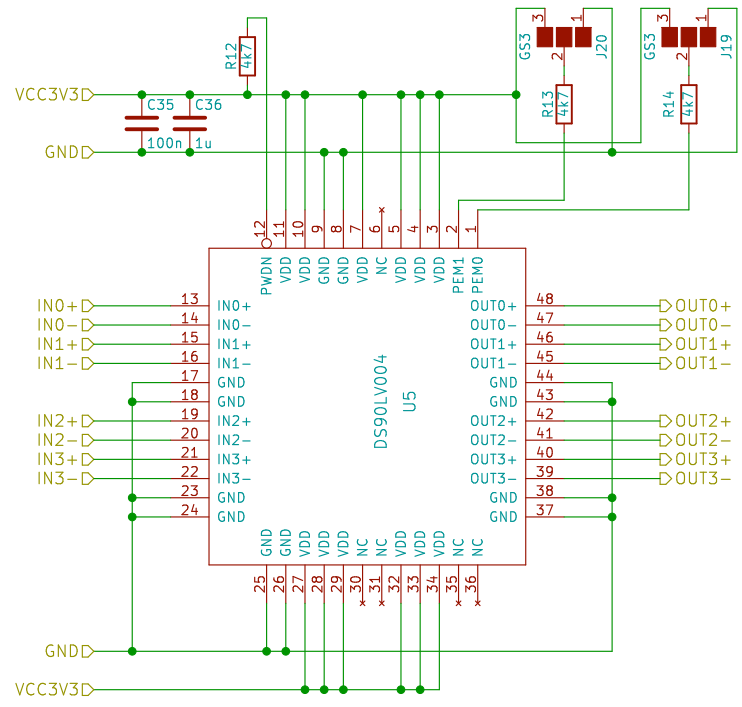
Timon Heim
LBNL

Sheet: /LVDSredriverC/
 File: LVDSredriver.sch

Title: VHDCI FE-14 RJ45 Adapter

Size: A4 Date: 2017-05-05
 KiCad E.D.A. eeschema 4.0.6

Rev: A
 Id: 4/10



Timon Heim

LBNL

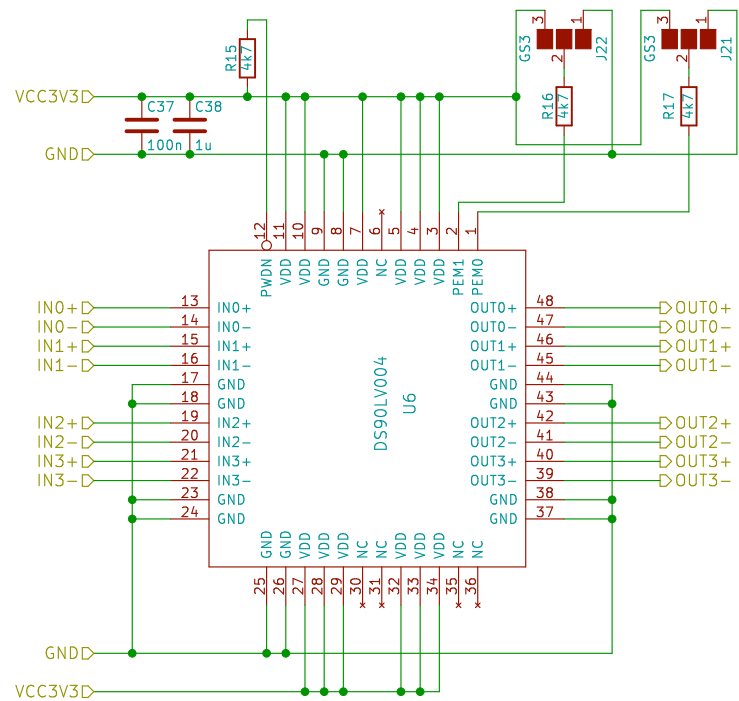
Sheet: /LVDSredriverD/
File: LVDSredriver.sch

Title: VHDCI FE-14 RJ45 Adapter

Size: A4 Date: 2017-05-05

KiCad E.D.A. eeschema 4.0.6

Rev: A
Id: 5/10



Timon Heim

LBNL

Sheet: /LVDSredriverE/

File: LVDSredriver.sch

Title: VHDCI FE-14 RJ45 Adapter

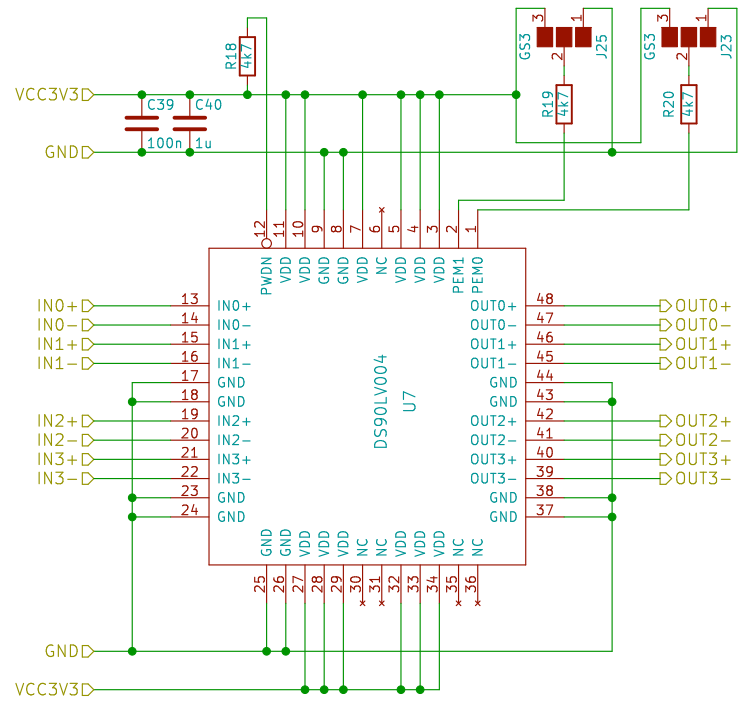
Size: A4

Date: 2017-05-05

Rev: A

KiCad E.D.A. eeschema 4.0.6

Id: 6/10



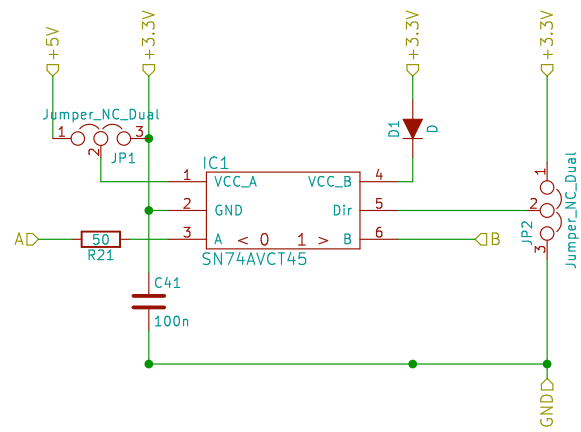
Timon Heim
LBNL

Sheet: /LVDSredriverF/
 File: LVDSredriver.sch

Title: VHDCI FE-14 RJ45 Adapter

Size: A4 Date: 2017-05-05
 KiCad E.D.A. eeschema 4.0.6

Rev: A
 Id: 7/10



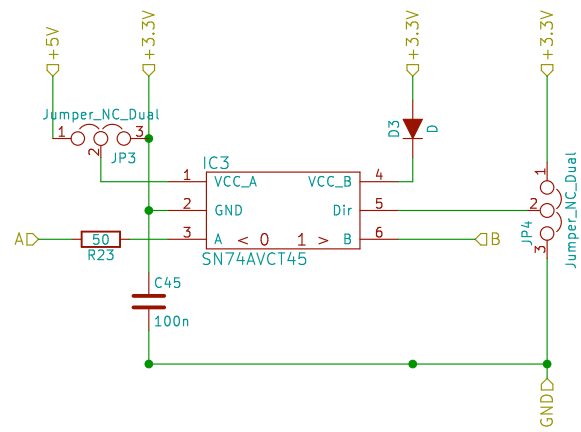
Sheet: /LevelshifterA/
 File: Levelshifter.sch

Title:

Size: A4
 KiCad E.D.A. eeschema 4.0.6

Date:

Rev:
 Id: 8/10



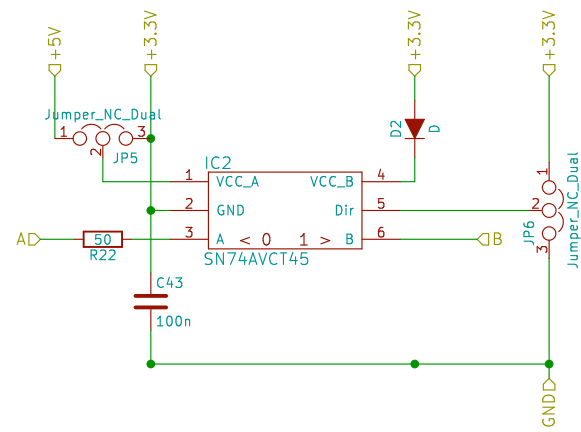
Sheet: /LevelshifterC/
 File: Levelshifter.sch

Title:

Size: A4
 KiCad E.D.A. eeschema 4.0.6

Date:

Rev:
 Id: 9/10



Sheet: /LevelshifterB/
 File: Levelshifter.sch

Title:

Size: A4
 KiCad E.D.A. eeschema 4.0.6

Date:

Rev:
 Id: 10/10