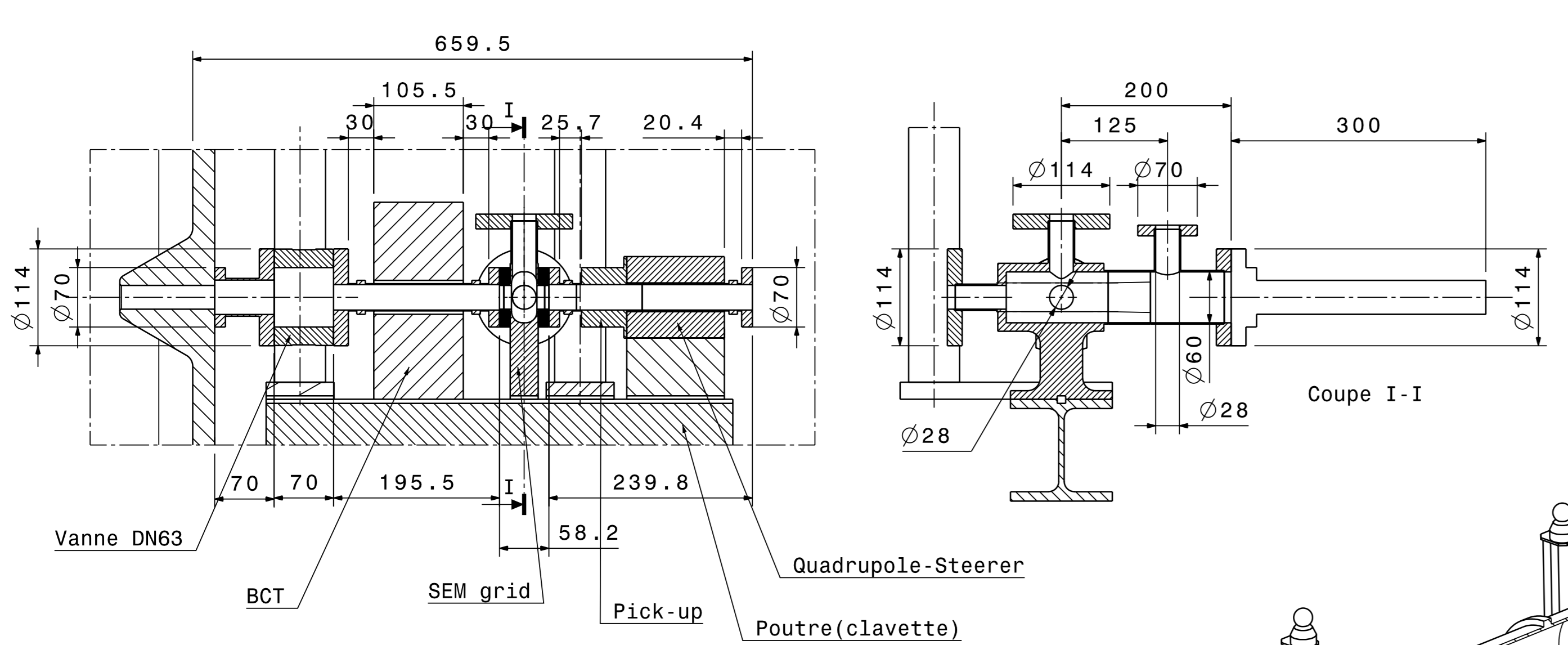
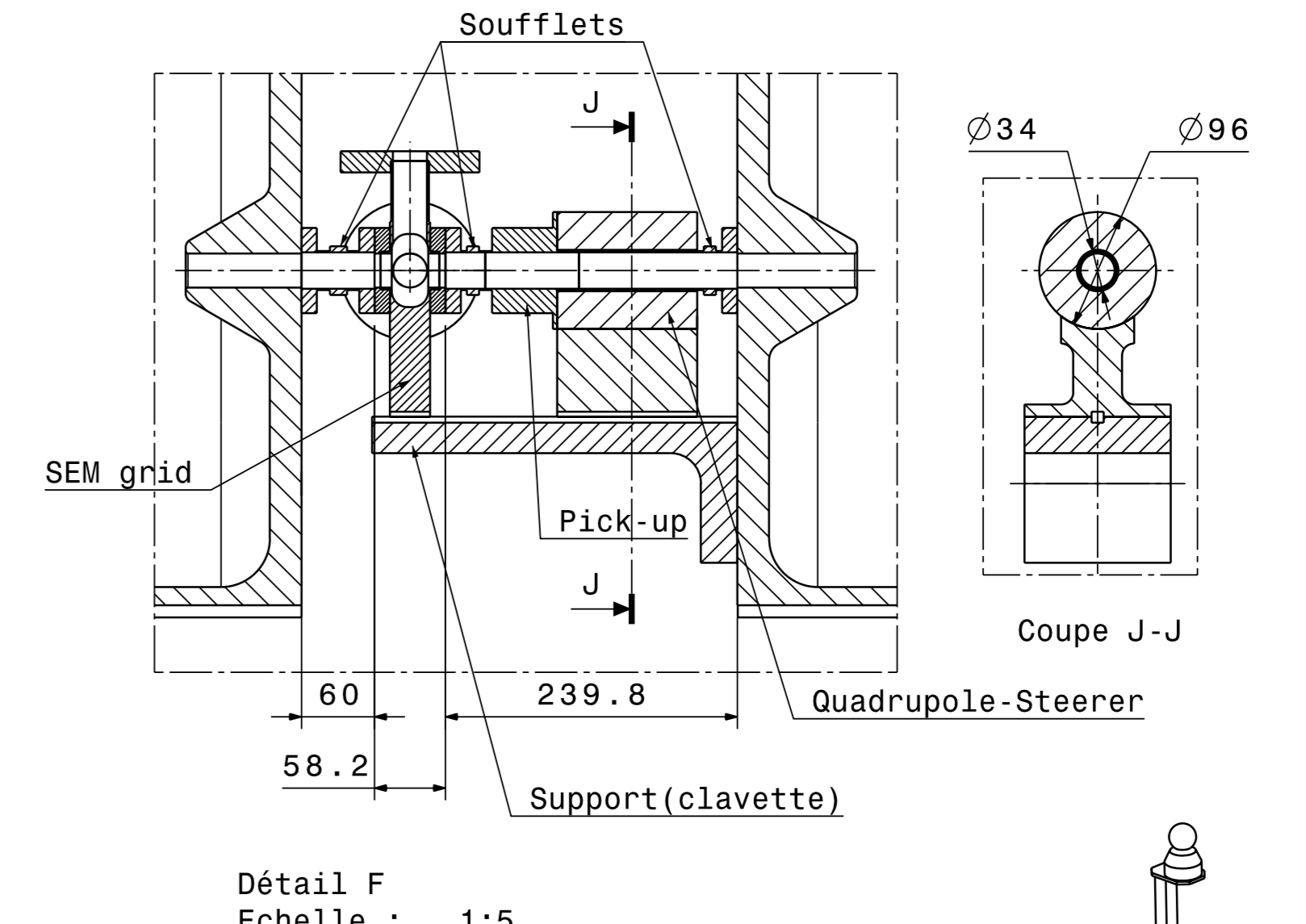
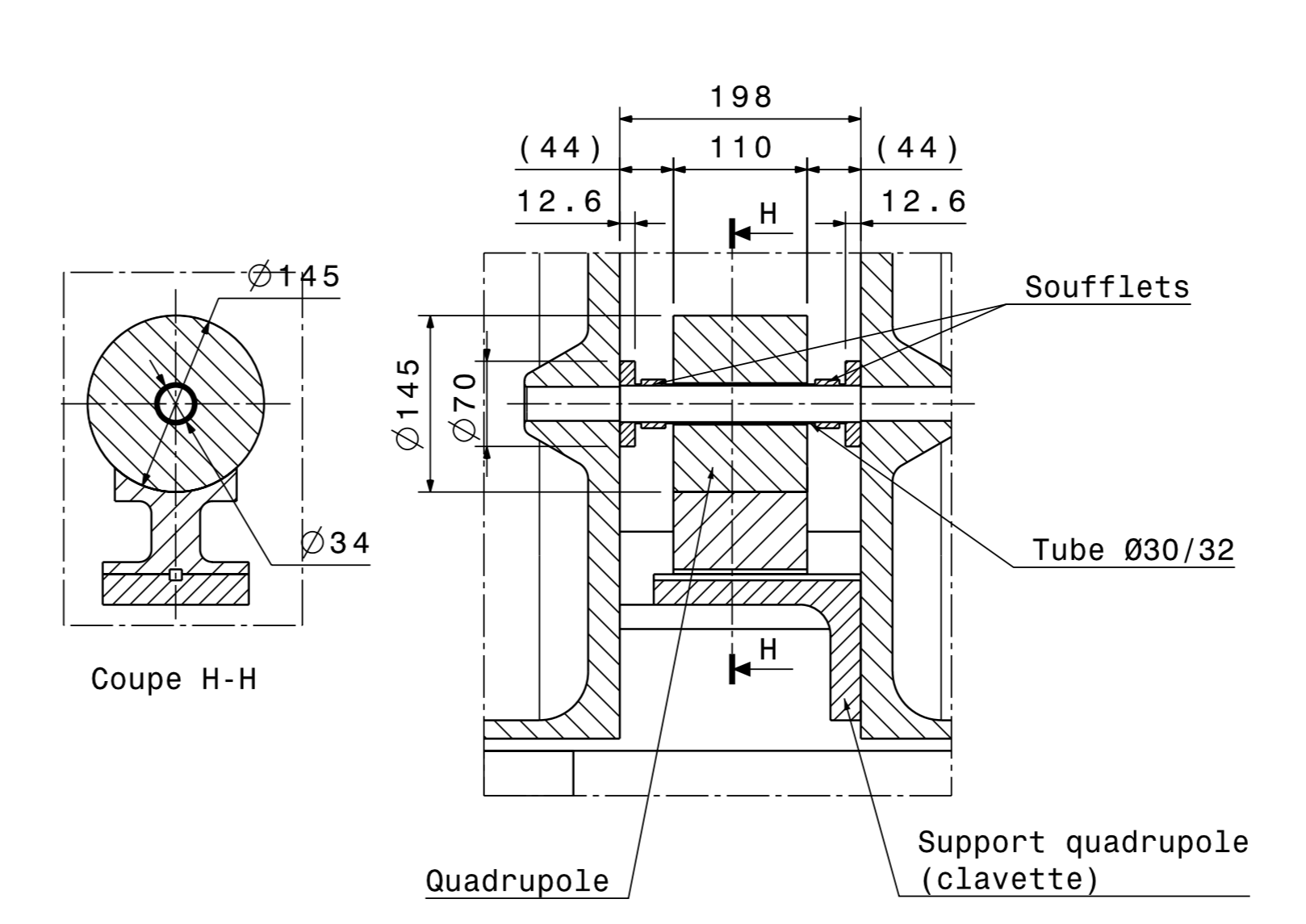
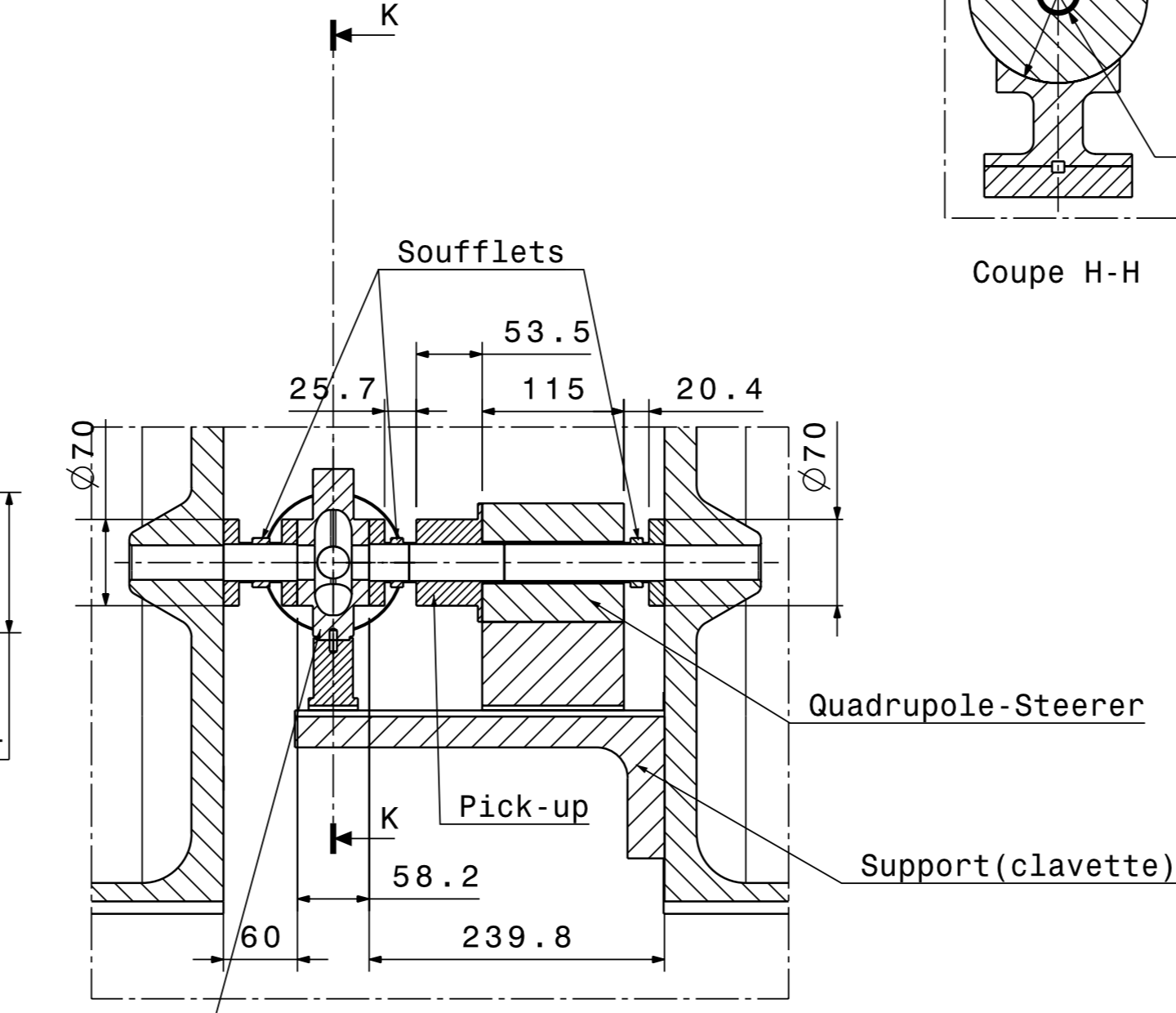
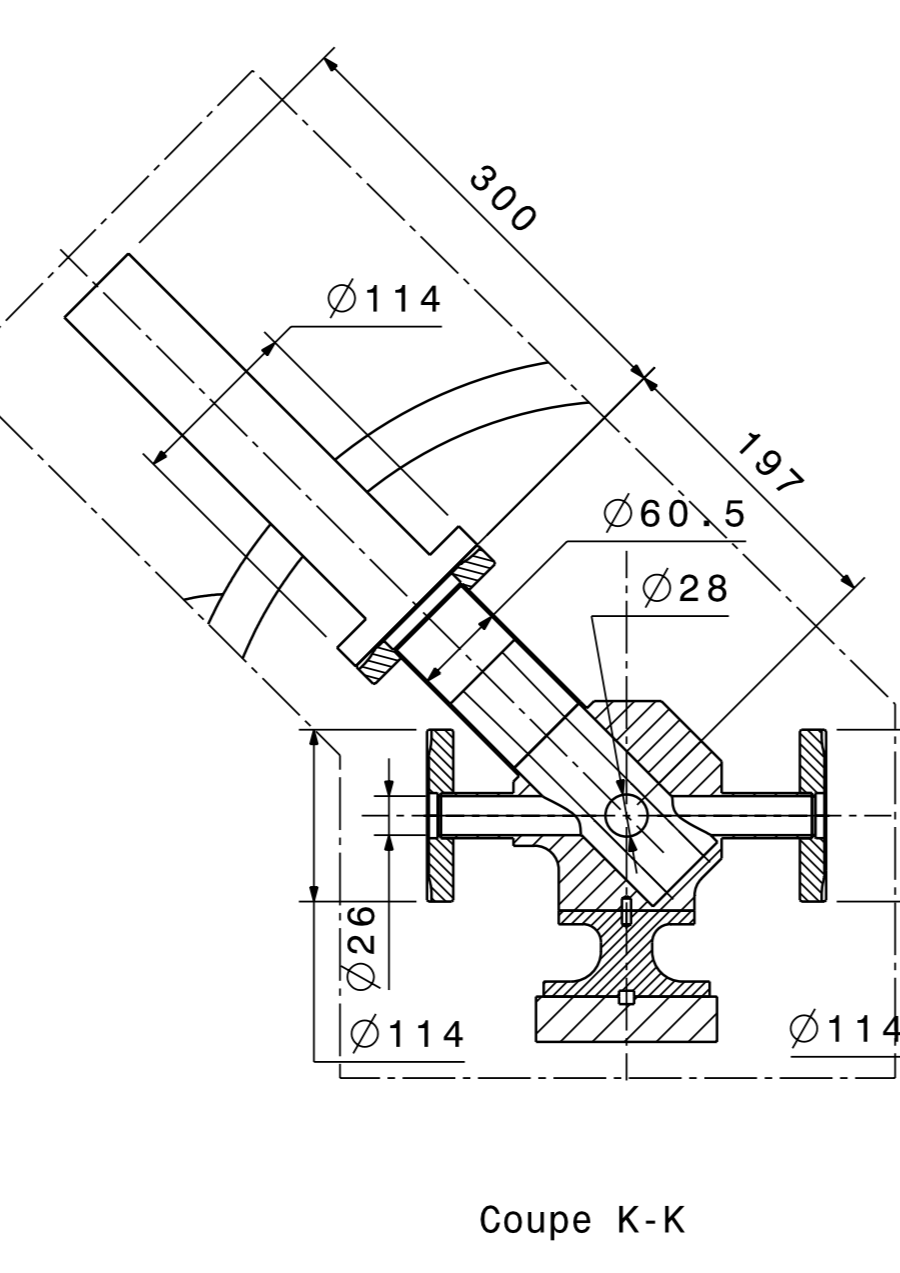
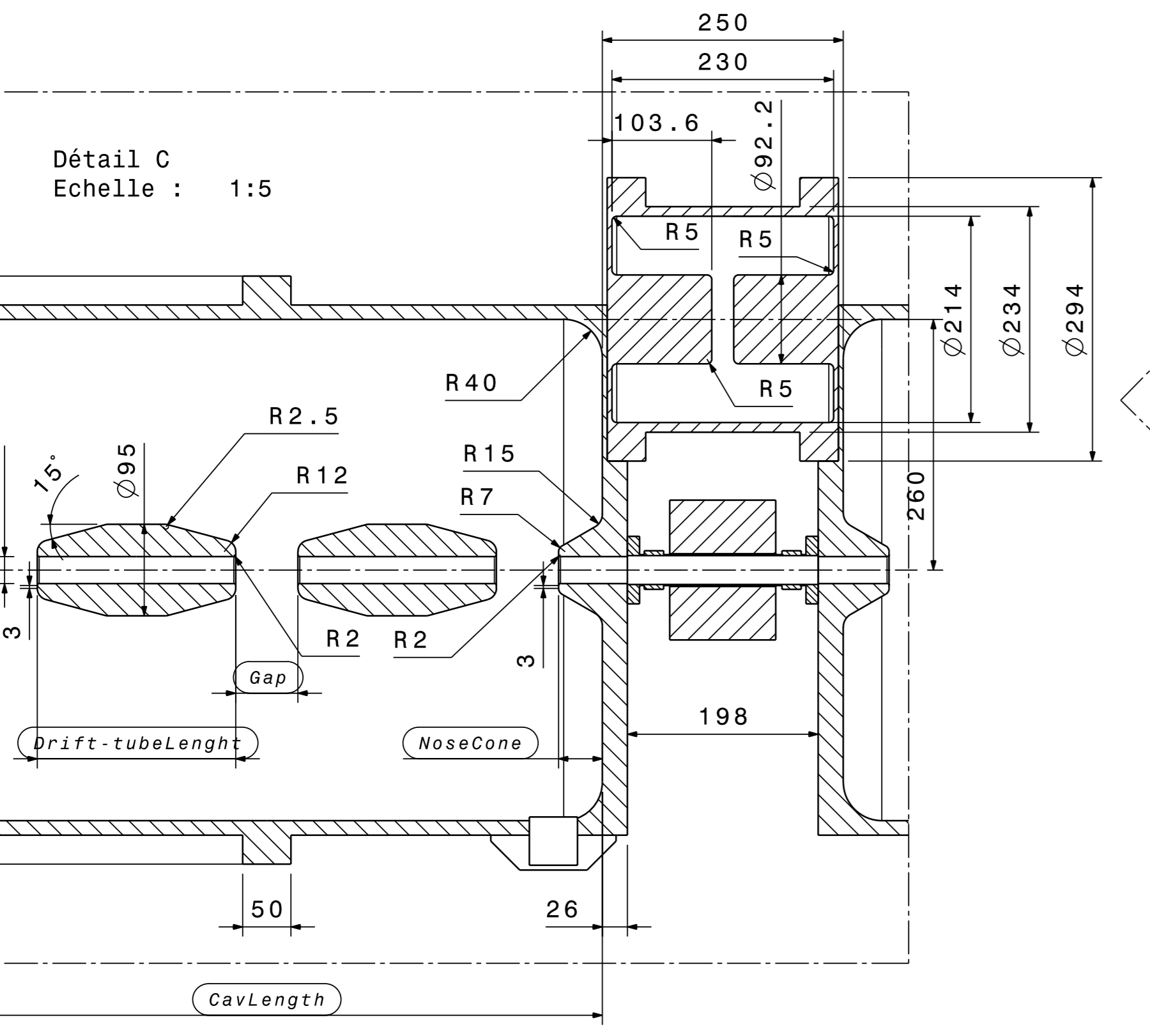
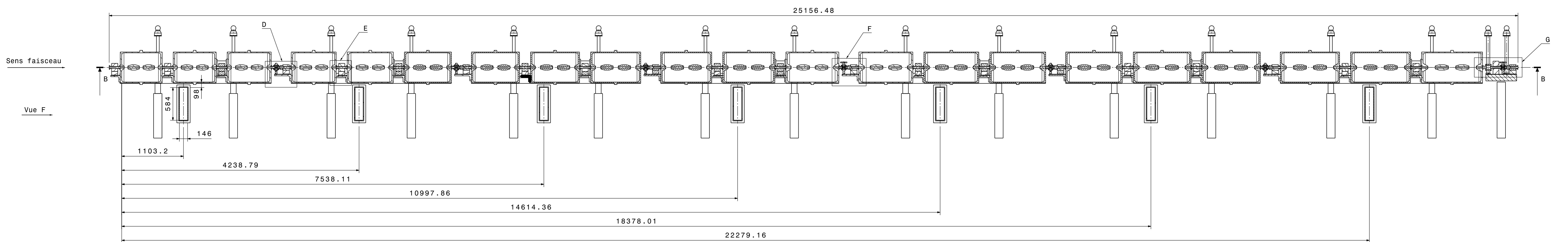
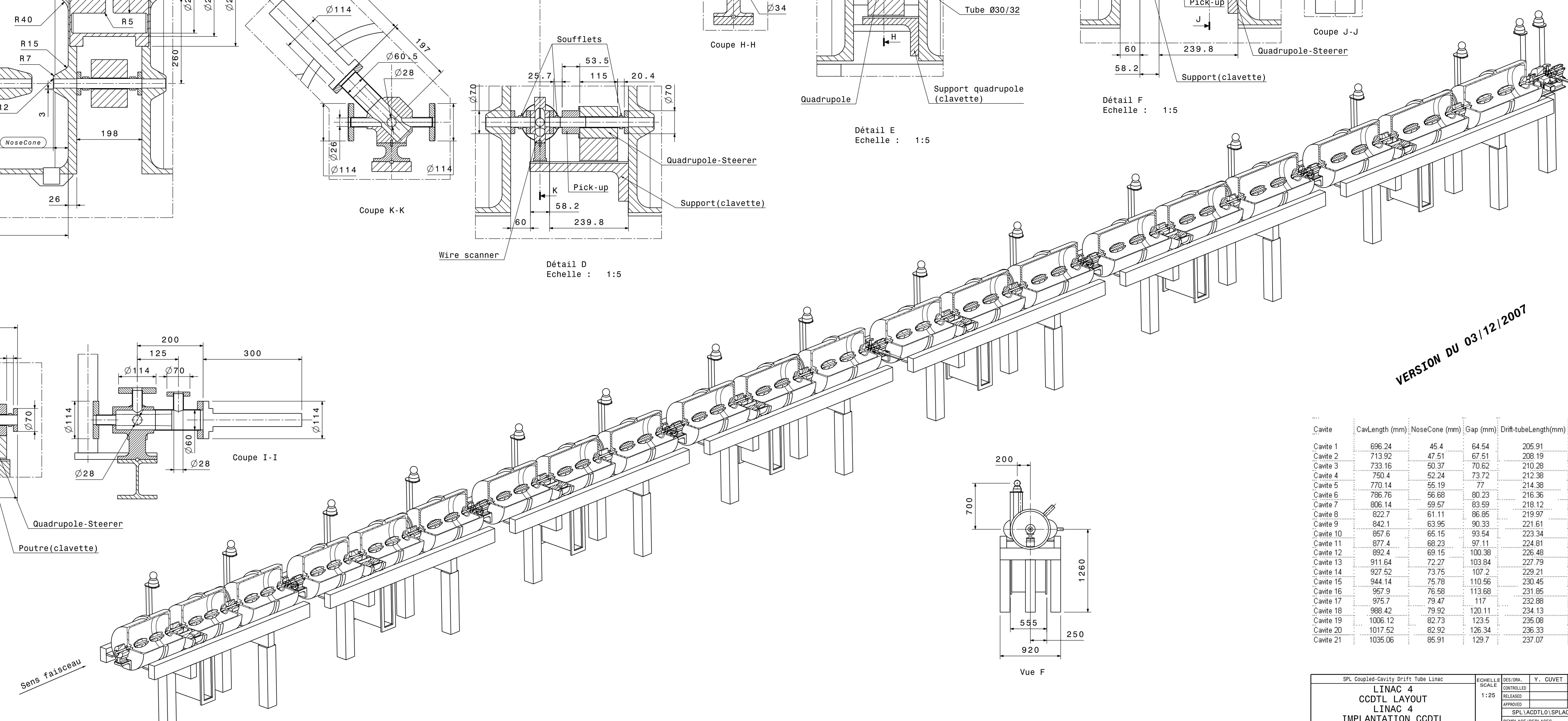


Coupe B-B
Echelle : 1:25

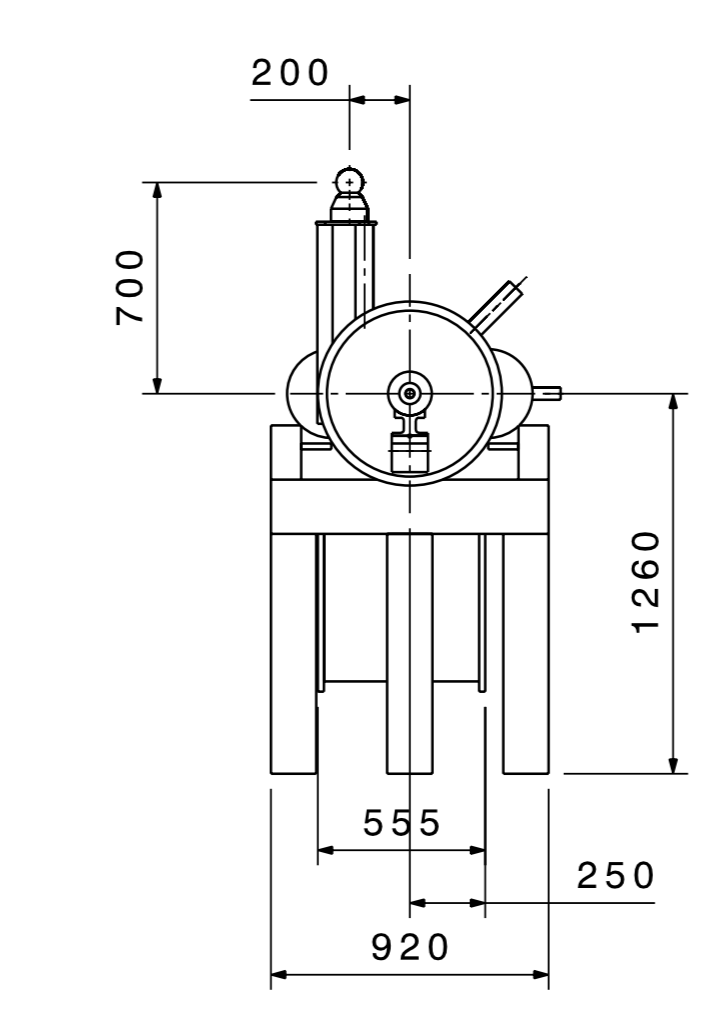


Détail G
Echelle : 1:5



VERSTON DU 03/12/2007

Cavite	CavLength (mm)	NoseCone (mm)	Gap (mm)	Drift-tubeLength(mm)
Cavite 1	696.24	45.4	64.54	205.91
Cavite 2	713.92	47.51	67.51	209.19
Cavite 3	733.16	50.37	70.62	212.26
Cavite 4	750.4	52.24	73.72	215.36
Cavite 5	770.14	55.19	77	218.48
Cavite 6	786.76	56.68	80.23	221.61
Cavite 7	806.14	59.57	83.59	224.81
Cavite 8	822.7	61.11	86.85	228.08
Cavite 9	842.1	63.95	90.33	231.41
Cavite 10	857.6	65.15	93.54	234.74
Cavite 11	877.4	68.23	97.11	238.14
Cavite 12	892.4	69.15	100.39	241.48
Cavite 13	911.64	72.27	103.84	244.79
Cavite 14	927.52	73.75	107.2	248.08
Cavite 15	944.14	75.78	110.56	251.34
Cavite 16	957.9	76.58	113.68	254.58
Cavite 17	975.7	79.47	117	257.79
Cavite 18	988.42	79.92	120.11	260.97
Cavite 19	1006.12	82.73	123.5	264.12
Cavite 20	1017.52	82.92	126.34	267.24
Cavite 21	1035.06	85.91	129.7	270.33



Vue F

IND.	DATE	NOM/NAME	ZONE	MODIFICATION
A	2006-06-10	Y. CUVET		Nouveau layout

SPL Coupled-Cavity Drift Tube Linac		ECHELLE	03/09/04	Y. CUVET	2003-05-26
LINAC 4		SCHELE			
CCDTL LAYOUT		CONTROLLED			
LINAC 4		RELEASED			
IMPLANTATION CCDTL		APPROVED			
		REPLACE/REPLACES			
		SPLACDTL01:SPLACDTL0058			
NON VALABLE POUR EXECUTION		001			
NOT VALID FOR EXECUTION					
		SPLACDTL0058			