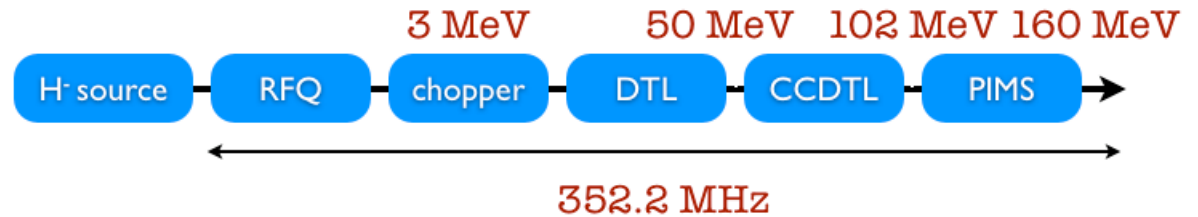


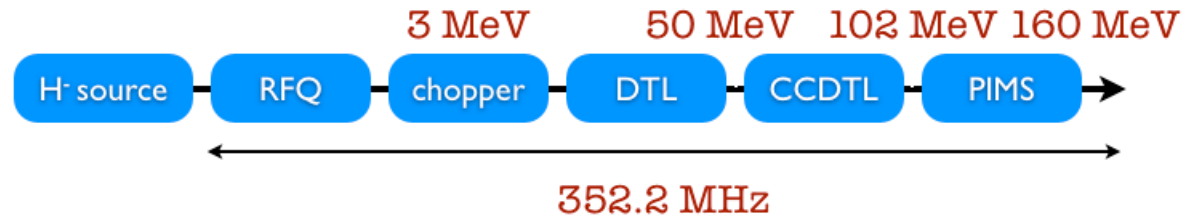
Movable Bench Progress

U. Raich



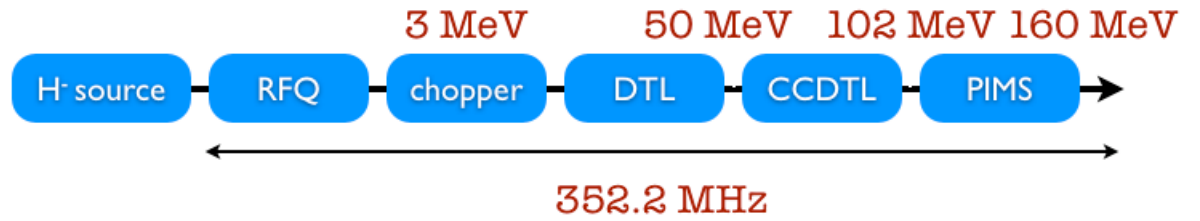
Feschenko Monitor

- Got a draft offer from Feschenko
- Opened discussion with purchase office (Gregorio)
- Wrote specification paper
 - Test procedure still to be added (discussion with Richard after this meeting)
 - Should be finished by today, latest tomorrow
 - Request for offer should go to INR end of this week
 - Requesting an answer within 2 weeks

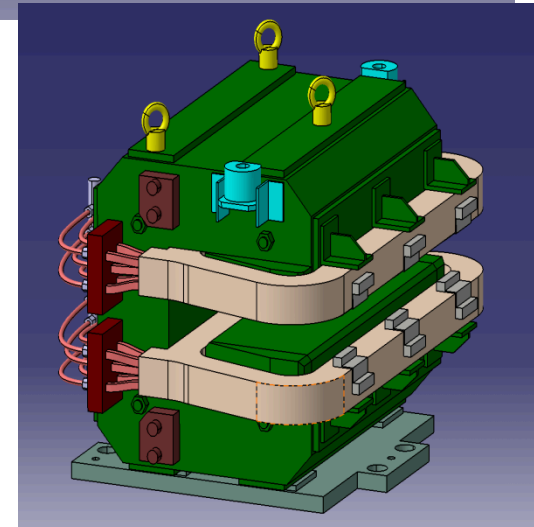
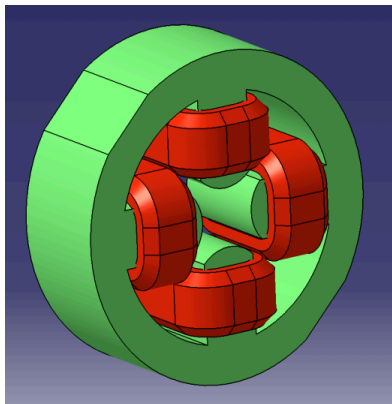
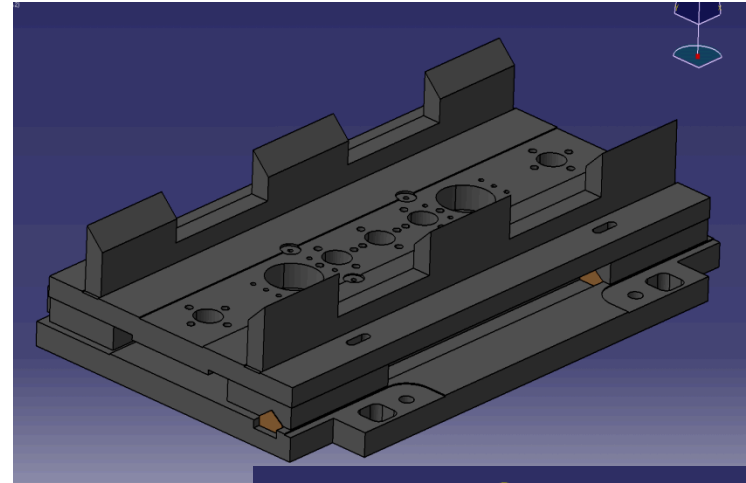
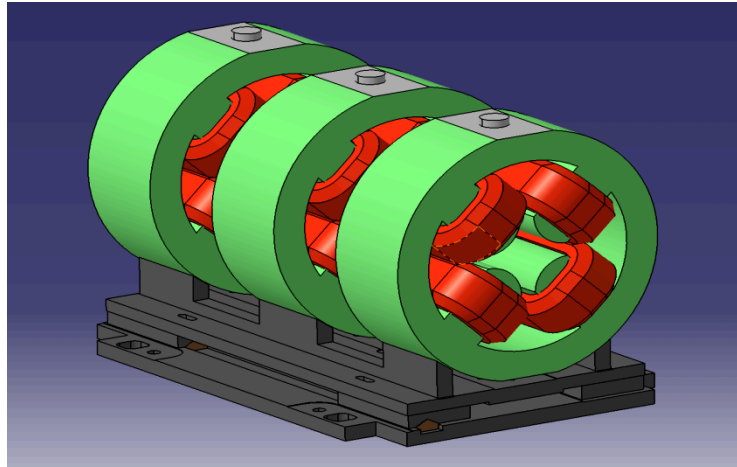


Measurement line

- Collecting information on the sizes of the equipment
- Asked IN2P3 for drawings of the magnets
 - The original drawings are not available any more
 - Catia 3d drawings have been made
- Meeting with drawing office foreseen for this week



Drawings from IN2P3



CERN, 14.October 2008

Uli Raich AB/BI