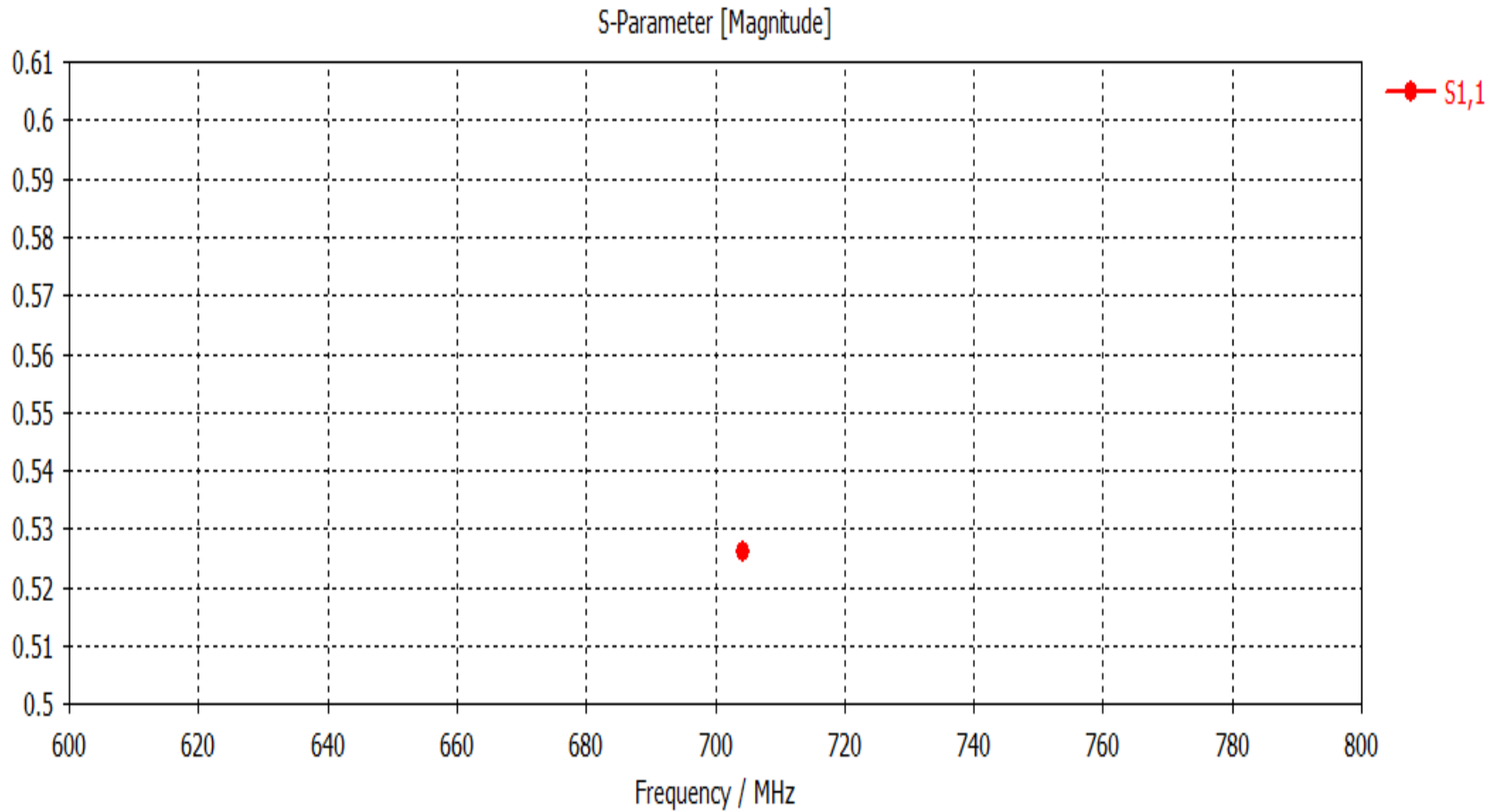


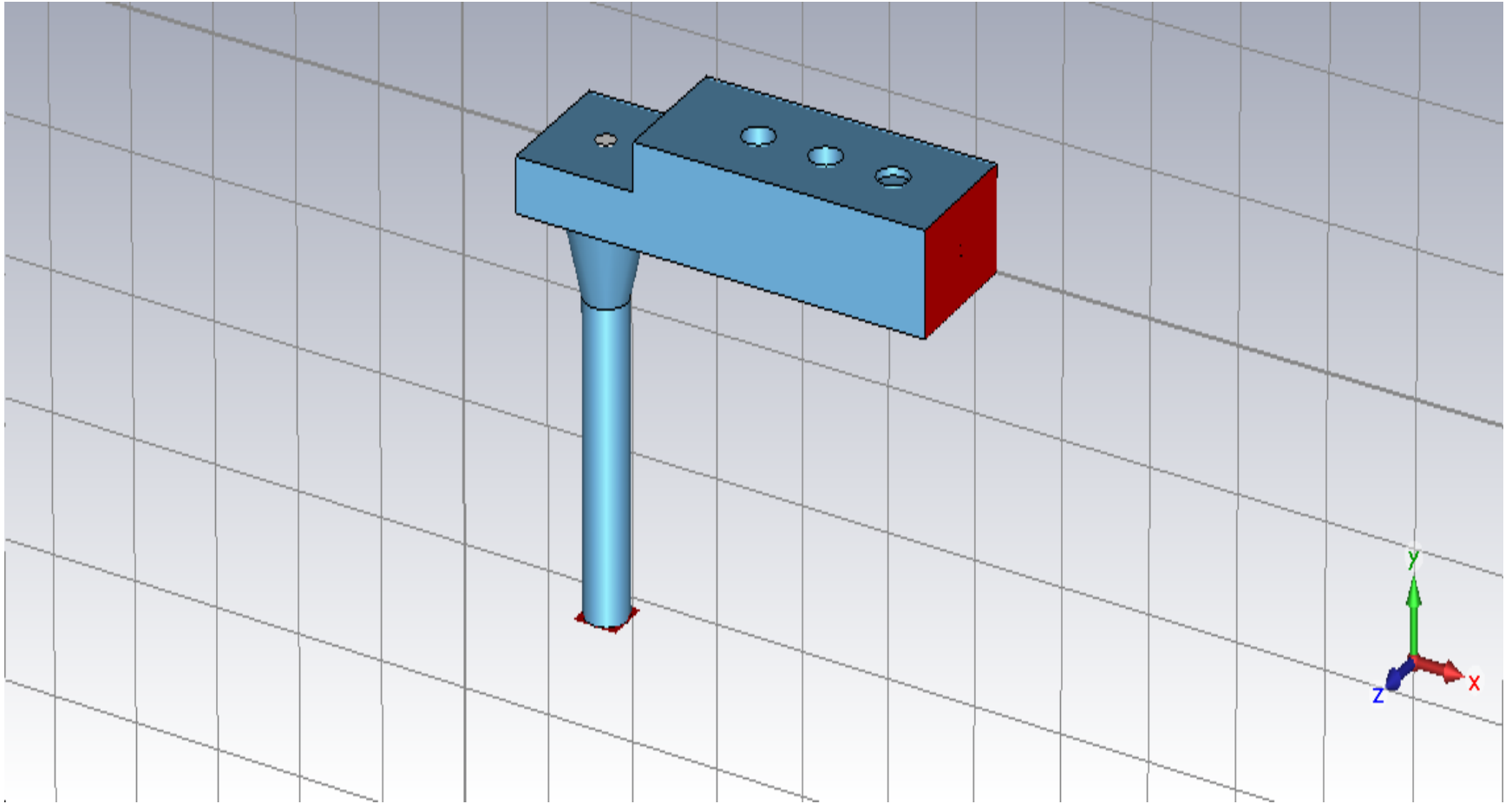
Three stub tuner

Waqas Ahmed Toor

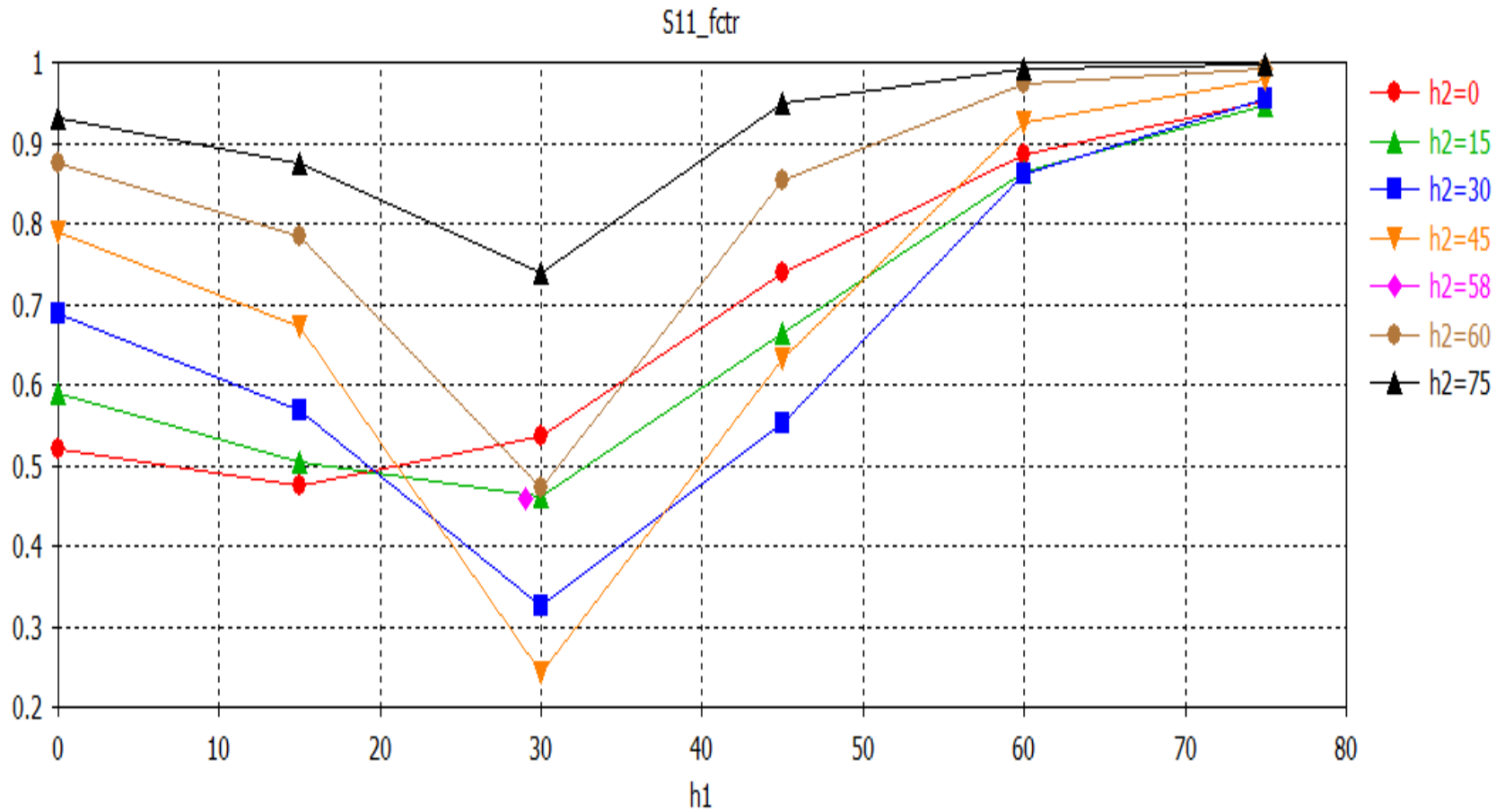
S11 of coupler only



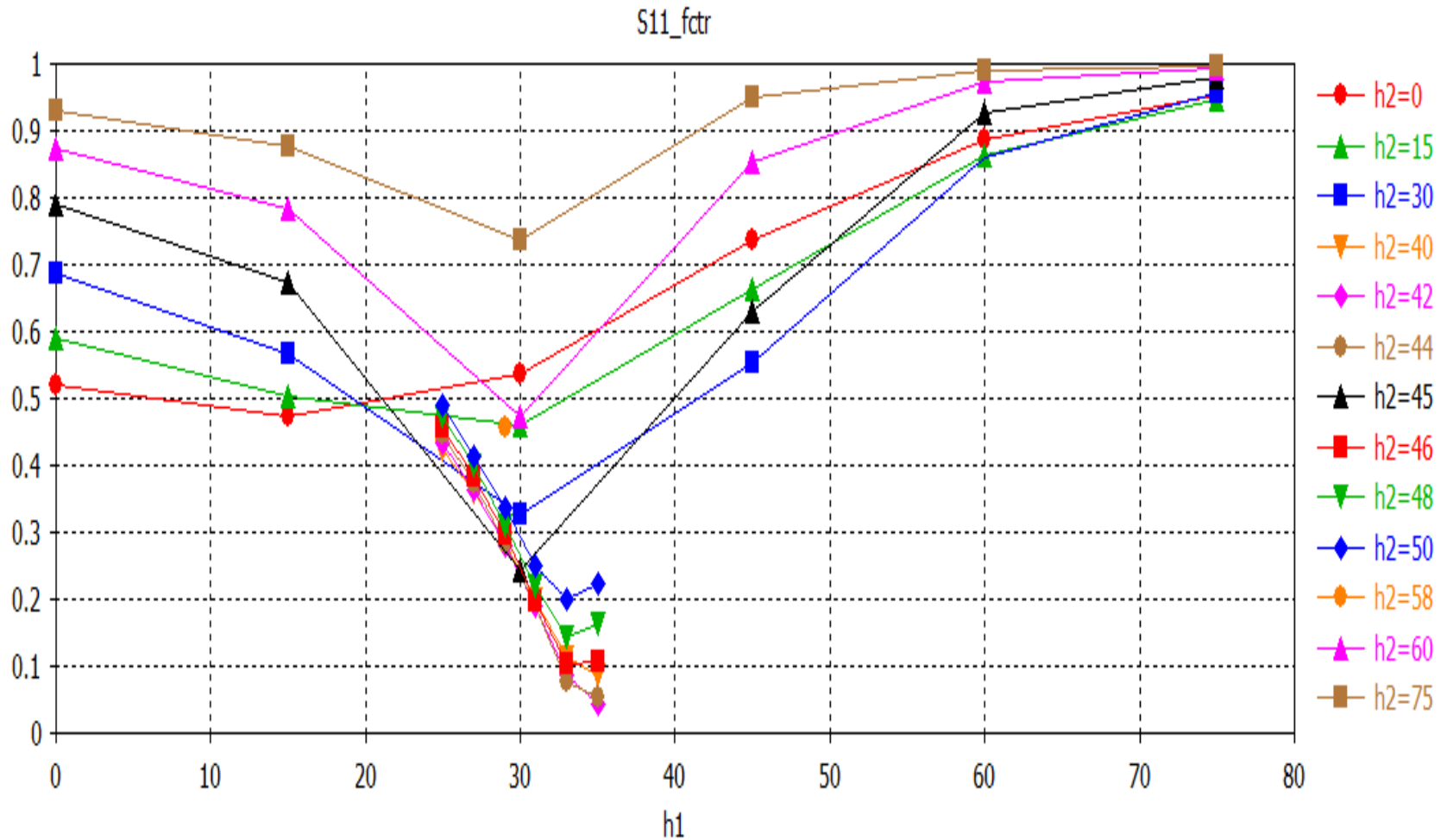
Coupler with Tuner



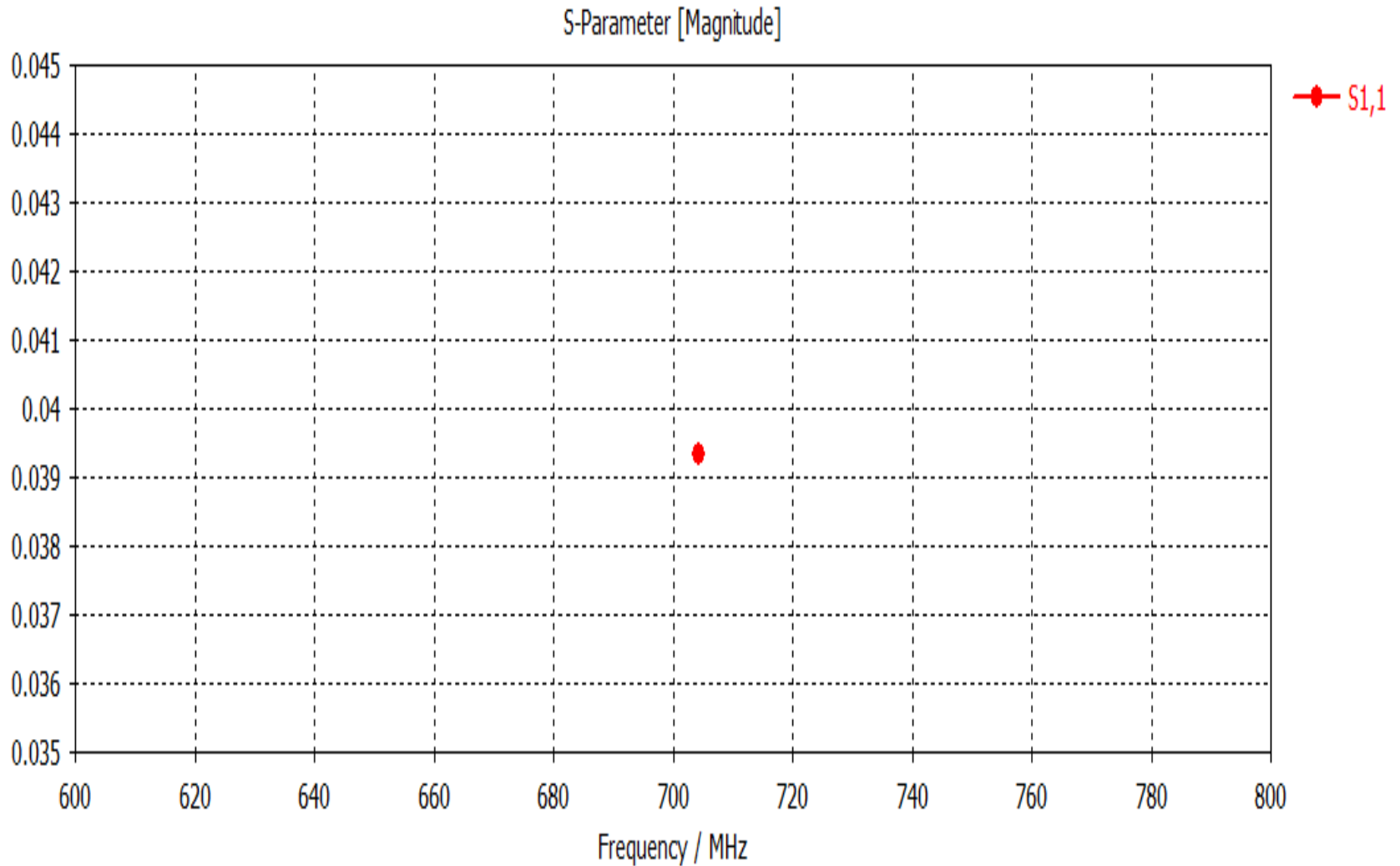
S11 of coupler+tuner



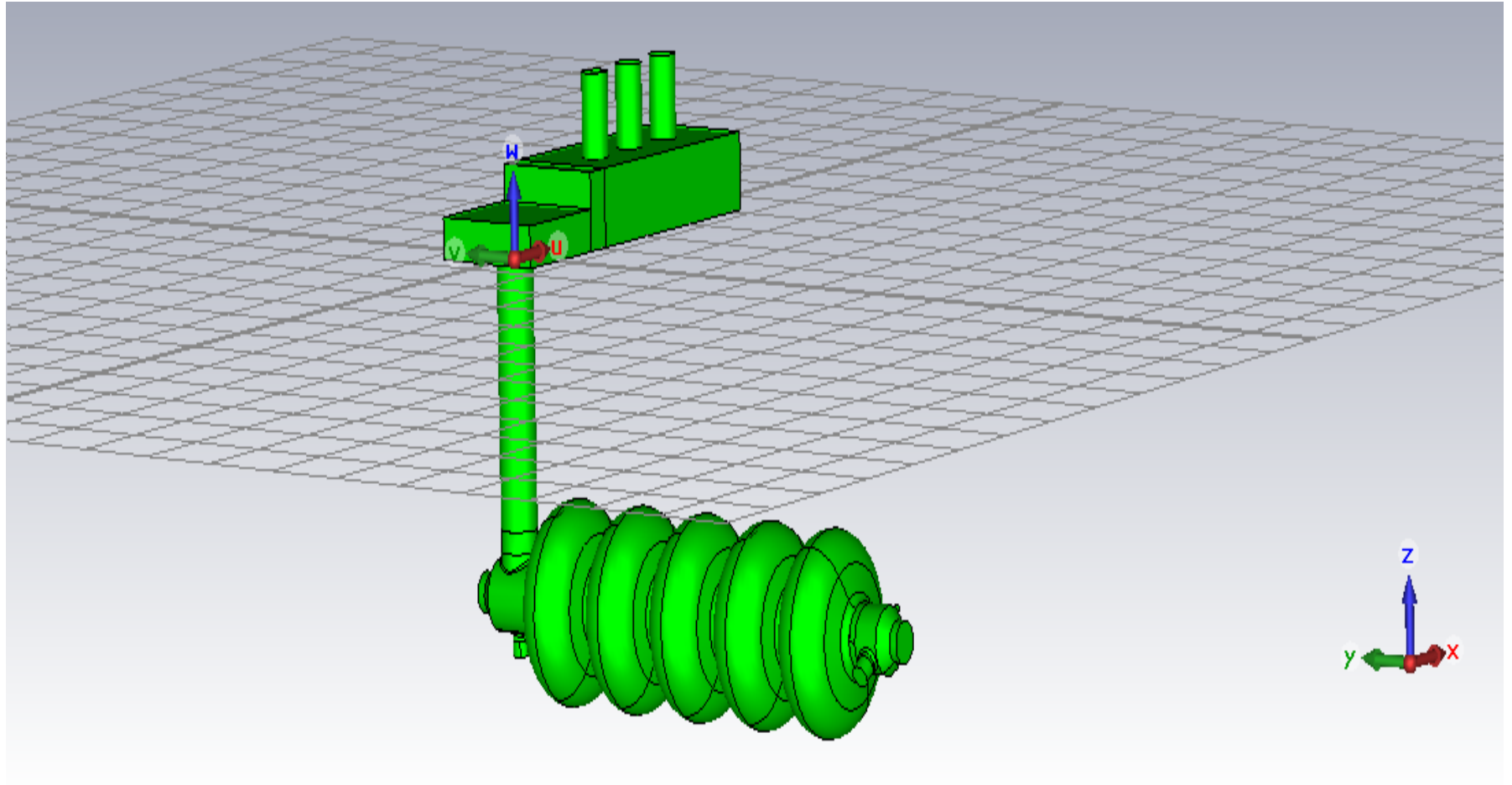
Fine tuning for better S11



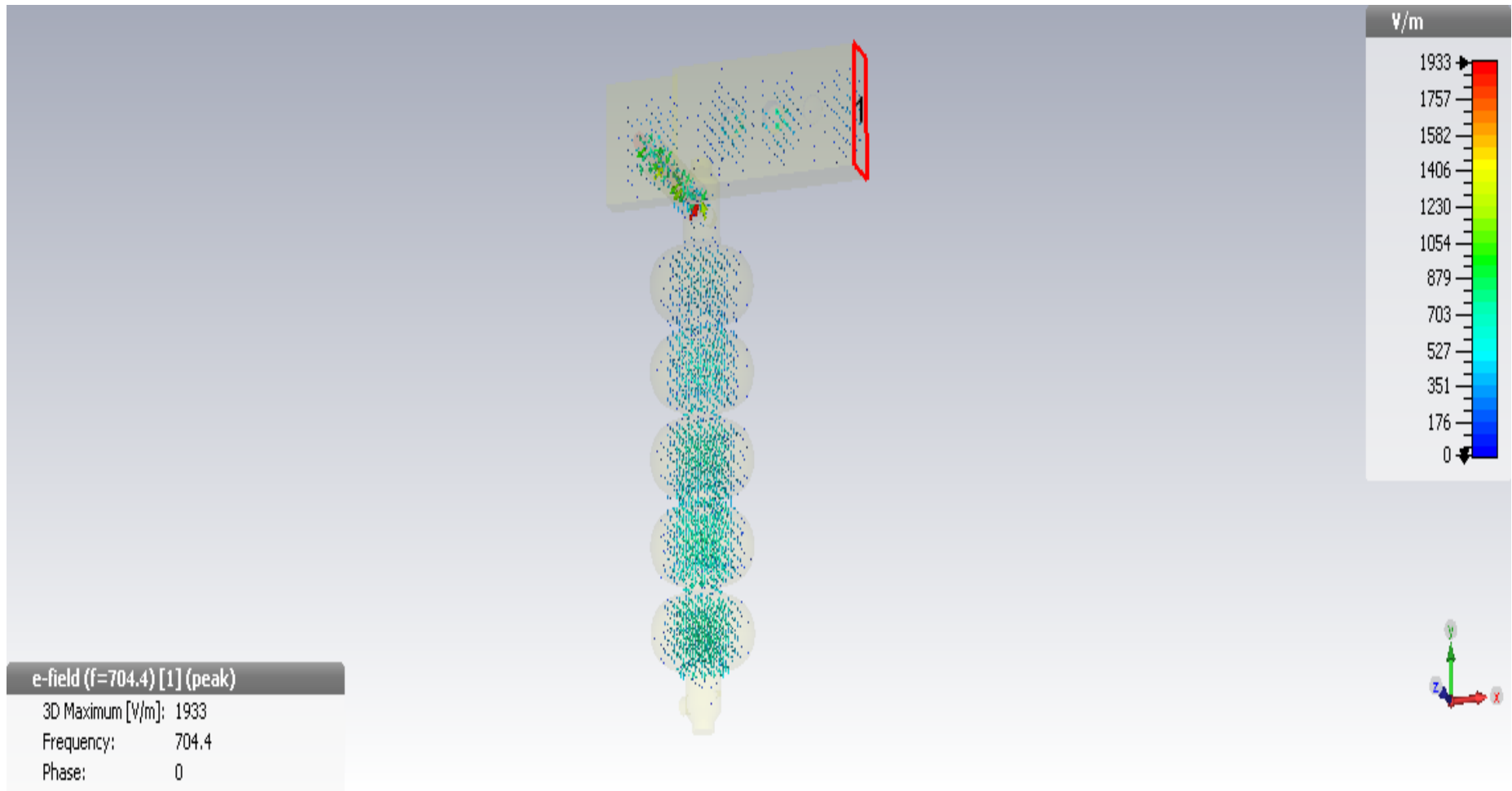
Fine tuning for better S11



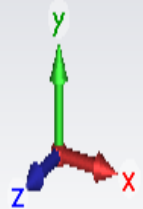
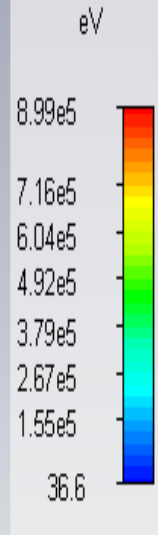
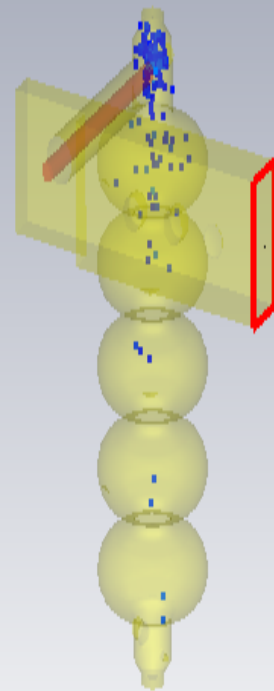
Tuner+Coupler+SPL cavity



Electric field in the cavity



Field effect on electrons in PIC



Plotype	Energy
Sample	(1/1)
Time	9.999e+000 ns
Particles	2955

Presence of external 0.1T field

